

## Single Pole Devices and Temporary Power

400A, 600V AC/250V DC

### Female Plug

#### Features

- Extra Long non-conductive inner sleeve
- Turn and Lock Symbol aids in the mating of devices
- Easily Identifiable Cable with cut off points for secure fit

#### Ordering Information

| Description   | Device Color | UPC          | Catalog Number |
|---|--------------|--------------|----------------|
| 400A, thermoplastic elastomer, cable size 2/0 - 4/0 AWG | Red          | 783585113760 | HBL400FR       |

#### Standards

UL and cUL Listed  
UL Enclosure Types 3R, 4X, 12  
National Electric Code (NEC), ANSI/NFPA 70

#### Specifications

|                          |                         |
|--------------------------|-------------------------|
| Base Compound            | Thermoplastic Elastomer |
| Contact Material         | Brass                   |
| Retaining Screw Material | Nylon                   |

#### Performance

| Electrical      |                                  |
|-----------------|----------------------------------|
| Amperage Rating | 400A Maximum                     |
| Voltage Ratings | 600V AC Maximum; 250V DC Maximum |

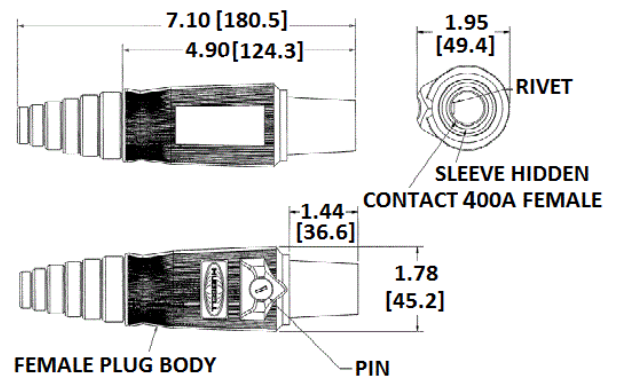
| Mechanical             |  |
|------------------------|--|
| Product Identification | Ratings are a permanent part of device |
| Terminal Accommodation | 2/0 to 4/0 AWG                         |

| Environmental |                               |
|---------------|-------------------------------|
| Flammability  | HB per UL94 or CSA 22.2. 0.17 |

#### Online Resources

Customer Use Drawing  
eCatalog  
Installation Instructions

# HUBBELL



Distributor:



Phone: 407-857-8770

Fax: 407-857-8771

Email: [sales@techni-lux.com](mailto:sales@techni-lux.com)

[www.techni-lux.com](http://www.techni-lux.com)

Dimensions in Inches (mm)

Hubbell Wiring Device-Kellems • Hubbell Incorporated (Delaware) • 40 Waterview Drive • Shelton, CT 06484

Phone (800) 288-6000 • Fax (800) 255-1031 • Specifications subject to change without notice.

