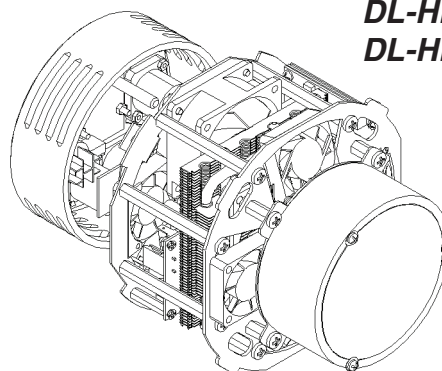
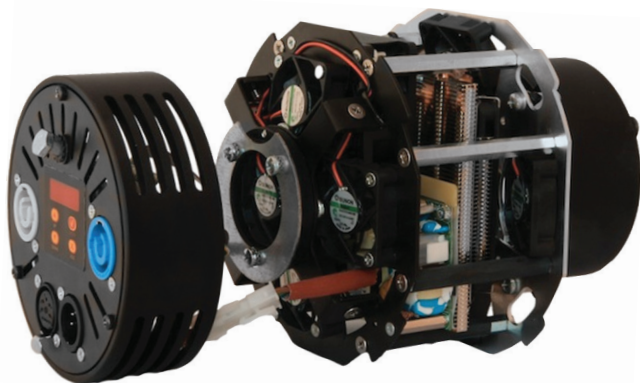


## PROFESSIONAL HPL LED REPLACEMENT

**Product Code**  
**DL-HPLED/W30**  
**DL-HPLED/W56**  
**DL-HPLED/C5**

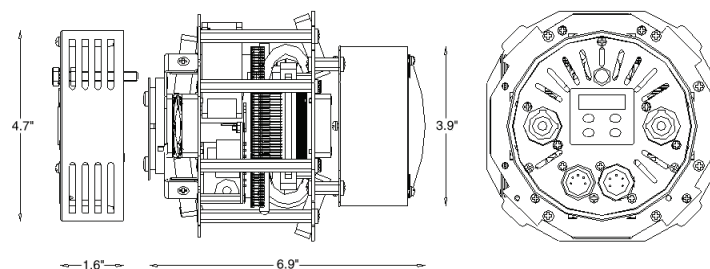


### Product Features

- Available in several white color temperatures and RGBAW color mixing
- Allows upgrade of halogen 3000°K profile fixtures to a 5600°K Daylight output, removing the need for color correction filters in 5600K applications
- Use original profile lenses, same body size and accessories

### Product Specifications

- Light source: High power LED
- Light Source Life: average 50,000 hours
- 16-bit dimming
- Use original profile lenses
- RDM and/or DMX protocols
- Integrated display board to facilitate fixture set-up
- Silent cooling fan with speed adjustment
- Auto switching power input
- Pulse modulation up to 10 khz
- Strobe effect
- Protection sensor to ensure safe LED operation
- 5 Pin IN/OUT XLR Connectors
- PowerCon IN/OUT Connectors
- Power Consumption: 170W
- Power: 100-240vAC, 50-60Hz
- Size: 8.43"x4.72"
- Weight: 2.03 kgs/4.45 lbs
- Color: Black
- Material: Metal/Glass



### Product Description:

The HPLED assembly replaces the traditional HPL 575W and 750W Lamp for use in original profile-luminaires. The integral set of achromatic lenses set in the optical system enhances brightness and gives consistency of light distribution across the illuminated surface thus providing close and comparable light output to traditional tungsten bulbs. HPLED produces almost no heat typically associated with halogen lamps, fixtures remain cool to the touch.

The HPLED C5 engine is powered by an array of 5 high-power LEDs, namely, Red-Green-Blue-White-Amber offering unlimited color palette. HPLED incorporates a display board to operate the fixture via DMX and or RDM Protocols. The rear section of the DMX/RDM HPL ED C5 embeds functions to facilitate fixture operations, such as convenient IN/OUT 5-pin XLR and PowerCon connectors.

The HPLED C5 Engine supersede and replaces the majority of traditional color changers offering color consistency distribution stance across the illuminated surface.

Light	White		Color
Product Code	DL-HPLED/W30	DL-HPLED/W56	DL-HPLED/C5
Color Temperature	White 3000°K	White 5600°K	Color RGBAW 5000°K
Luminous flux	13000 lm	16000 lm	--

10900 Palmbay Drive, Orlando, FL 32824 U.S.A.  
 Phone: 407-857-8770 Fax: 407-857-8771  
 www.techni-lux.com

