



PRECISION DMX: 3W RGB DMX FLOODLIGHT

The patent pending Precision DMX is the world's smallest DMX512 controllable theatrical floodlight. This RGB luminaire is smaller than a fist yet packs comparable punch to traditional fixtures several times its size! No other fixture on the market comes close to the compactness of the Precision DMX with all the internal circuitry and intelligence built in.

The Precision DMX is a microprocessor based intelligent lighting fixture that can be controlled to generate a wide range of vivid colors. Tunable preset functions allow the user to generate various patterns without complex signalling. A built-in flicker generator can create unique and realistic flame, surge, and lightning effects with ease.

Standalone operation is achievable when the fixture is configured with our DMX Programmer app, making the Precision DMX a fully tunable floodlight that can operate without signal. The user simply sets the desired output of the Precision DMX with the DMX Programmer app and the settings will be stored in the fixture's memory.

FEATURES

- ✓ Full color control via DMX512 or DMX Programmer app
- ✓ 7 channel DMX control
- ✓ Built-in functions: flicker, strobe, blink, fade, color change, master dimming, and color macros
- ✓ Standalone mode allows set and forget operation without DMX signal (requires DMX Programmer app)
- ✓ DMX address and configuration stored in memory
- ✓ Low voltage and minimal heat for improved safety over incandescent sources
- ✓ Internal constant current driver gives highly efficient and consistent output
- ✓ Minimal maintenance required with over 50,000 hour lamp life
- ✓ Indoor and outdoor use

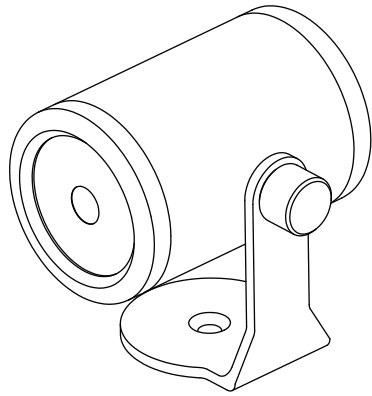
SPECIFICATIONS

MAX WATTAGE	3.8
INPUT VOLTAGE	9-15VDC (12VDC nominal)
CURRENT DRAW	320mA @ 12VDC
POWER SUPPLY	Class 2 transformer or battery
BEAM ANGLE	21°
FIELD ANGLE	45°
INGRESS PROTECTION	IP65
LED	Edison Edixeon RGB 3W
EXTERIOR FINISH	Black anodized aluminum
CERTIFICATION	UL
POWER CONNECTION	2.1mm ID / 5.5mm OD DC jack with screw terminal adapter
SIGNAL CONNECTION	3.5mm TRS jack with screw terminal adapter

SKU NUMBER

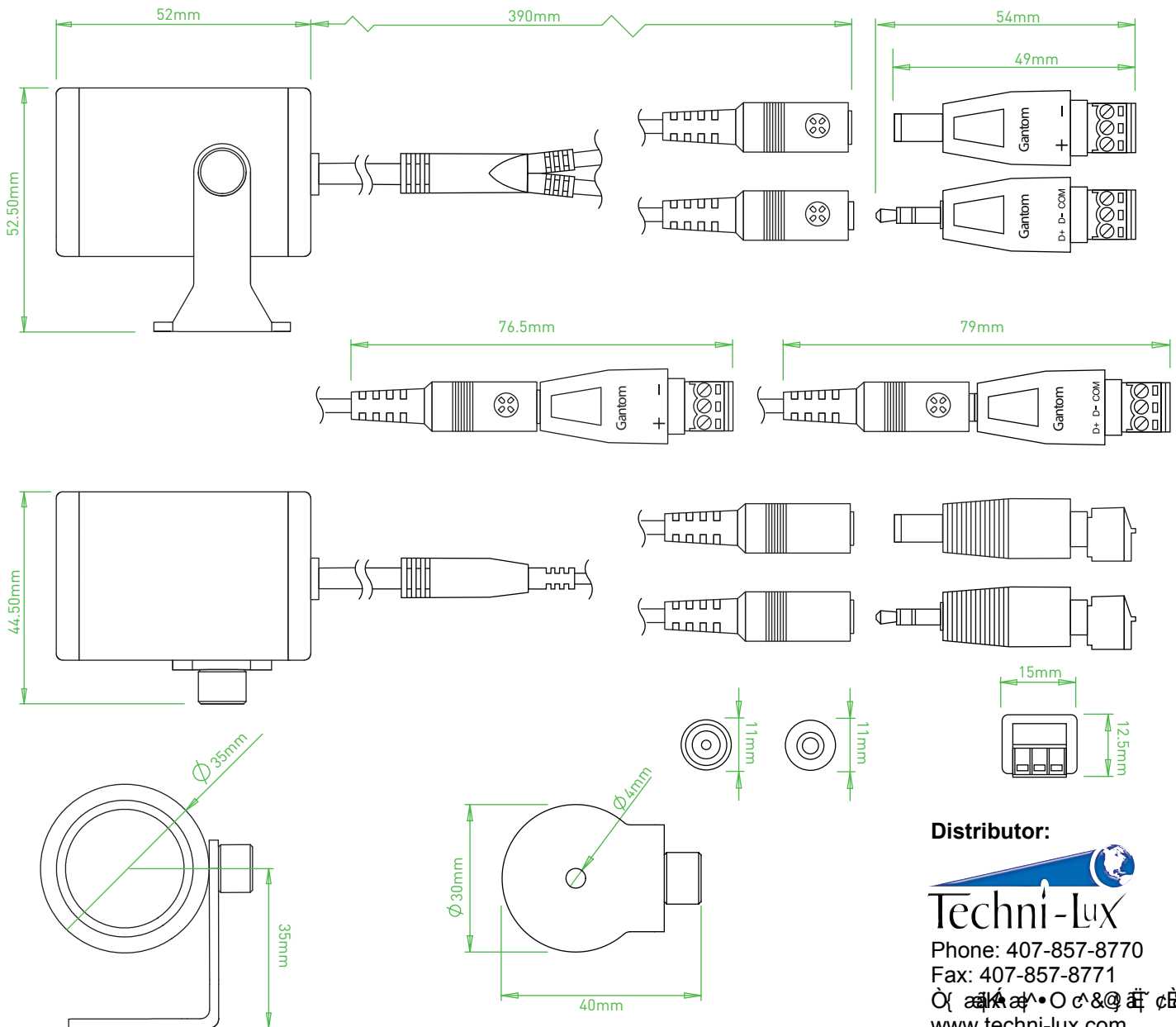
Precision DMX

PR41



FULL POWER OUTPUT

Distance	Center Brightness	Beam Width
1.0m (3.3ft)	353lx (32.7fc)	0.4m (1.2ft)
2.0m (6.6ft)	86lx (8.0fc)	0.7m (2.4ft)
3.0m (9.8ft)	36lx (3.3fc)	1.1m (3.6ft)



Distributor:



Phone: 407-857-8770

Fax: 407-857-8771

www.techni-lux.com

www.techni-lux.com