

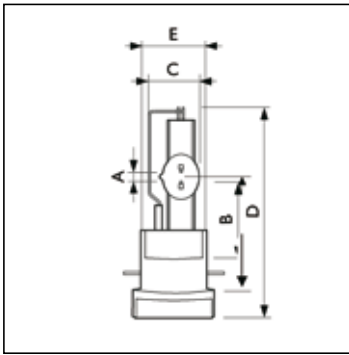
Philips MSR Gold™ 1500 FastFit

The new higher wattage lamp in the FastFit range.



Features	Benefits
• Philips FastFit	• Lamp replacement in just seconds.
• Very short arc	• High beam intensity.
• Compact design	• Easy handling. Smaller and lighter fixtures.
• Flexible power range	• Dimmable up to 800W.
• Philips P3 pinch protection	• Enables use at higher temperatures in any burning position. Longer lifetime, fewer early failures, consistent performance over time.
• Innovative gold plated pins	• Reduces early lamp or lamp holder failures.
• MSR filling	• Excellent current transfer.
	• Pure, white light. Color point close to black body line.

PHILIPS



Dimensions in mm

Type	A	B	C	D	E
Philips MSR Gold™ 1500 FastFit	5.5	65	28	128 max	41

Type	Nominal lamp wattage (W)	Cap/base	Arc size mm	Min ignition voltage (V)	Lumen output (lm)	Efficacy source (lm/W)	Color temp (K)	Max allowable pinch temp (°C)	CRI	Average lamp life (h)	Replace-ment before (h)	Burning position	Nominal lamp current (A)	Ordering number
Philips MSR Gold™ 1500 FastFit	1500	PGjX50	5.5	207	120.000	82	6000	500	>80	750	850	Any	16.1	9281 073 05100

PHILIPS

Distributor:


Techni-Lux
www.techni-lux.com

Phone: 407-857-8770
 Fax: 407-857-8771
 Email: sales@techni-lux.com