



©A&O Lighting Technology GmbH



- Xenon short arc lamps for event and archtainment lighting
- Shortened arc gap yields higher luminance
- Robust base for improved stability
- Optimized compact design
- Waterproof outdoor packaging
- Daylight color temperature 6000 K
- Available in four wattages:
2000 W, 3000 W, 4000 W, 7000 W
- Hot restart
- Dimmable

At home on any stage: Xstage® – the new XBO® lamp for brilliant entertainment.

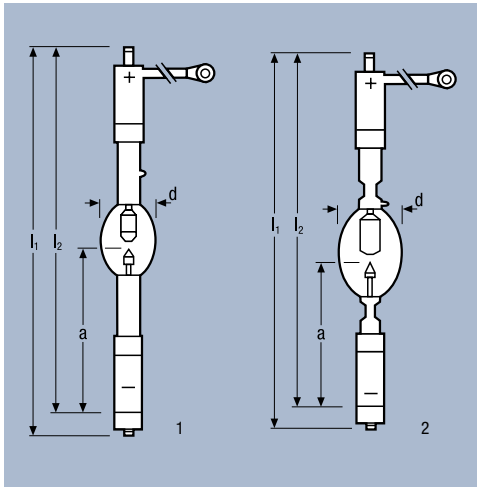
The outdoor specialist: bright, compact and robust.

SEE THE WORLD IN A NEW LIGHT

OSRAM



TECHNICAL DATA



	Xstage® 2000W OFR	Xstage 3000W OFR	Xstage 4000W OFR	Xstage 7000W OFR
Lamp voltage (V)	23	30	30	40
Rated current (A)	90	100	130	160
Current control range (A)	70–110	70–110	80–135	110–165
Luminous flux (lm)	80000	140000	150000	330000
Luminous intensity (cd)	9000	13500	17000	33000
Average luminance (cd/cm ²)	170000	200000	120000	120000
Electrode gap cold (mm)	3.5	4.5	6.0	8.0
Max. length l ₁ (mm)	300	300	315	405
Length l ₂ (mm)	262	262	277	354
Distance a in mm (LCL)	120	120	120	162.5
Bulb diameter d (mm)	46.5	55	60	70
Average rated life (hrs)	1000	1000	1000	1000
Illustration no.	1	1	1	2
Product Number	69482	69483	69484	69485
Base Anode	SFaX27-9.5	SFaX27-9.5	SFaX27-9.5	SFaX27-9.5
Base Cathode	SFc28-27/20	SFc28-27/20	SFc28-27/20	SFc28-27/20



©A&O Lighting Technology GmbH / Photo: Ralph Larman

Heavyweights in action: Xstage® highlights the Gerry Weber stadium in Halle/Westfalen, Germany.

With Xstage, OSRAM has developed a new lamp line especially suited for event and architectural lighting. Based on their highly recognized XBO® lamp series, these new xenon short arc lamps are optimized for outdoor use. In order to facilitate safe installation for field applications, the robust base provides more stability. Additionally, the shortened arc gap allows for more luminance and, therefore, increased brightness. Xstage is intended to be used in fixtures with screw-in sockets. Just like the XBO lamp series, they allow a hot restart and have the daylight color temperature of 6000K. Due to its inner pressure, the lamp comes in new, more durable outdoor packaging.

For further information please contact:

Distributor:



Phone: 407-857-8770

Fax: 407-857-8771

Email: sales@techni-lux.com

XBO and Xstage are registered trademarks of OSRAM GmbH.

SEE THE WORLD IN A NEW LIGHT

OSRAM