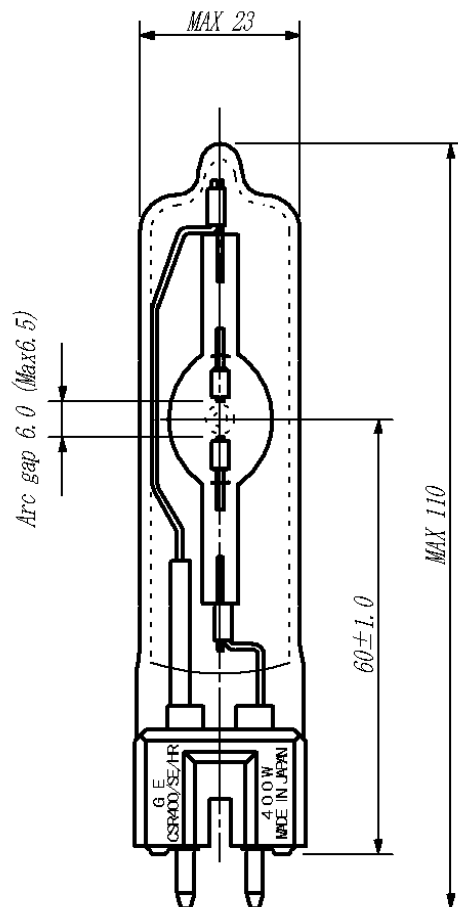


CSR Lamps

The GE CSR400/SE/HR lamp is a metal halide lamp with an outer jacket and a small arc gap of 6 mm providing greater optical control and luminance. This lamp is compact and suitable for hot restrike applications. The CSR400/SE/HR is mainly used in event lighting, studio, and film lighting.

Product Description CSR400/SE/HR

•Order Description	CSR400/SE/HR
•Product Code	21853
•Pack Quantity	10
•Rated Wattage	400W
•Rated Voltage	70V±10V
•Lamp Current (ECG/MCG)*	6.9A
•Ignition Voltage (cold/hot)	2.5/25MAX
•Lumens	32,000 Lm
•Lumens per watt	80
•Ra	>85
•Chromaticity coordinates	x 0.323 y 0.320
•Color temperature	6,000K
•Arc Length	MAX6.5 mm
•Lamp length	MAX110
•Light center length	60±1.0
•Lamp diameter	MAX φ23
•Average rated life	750hr
•Base	GZZ9.5



*ECG = electronic control gear / MCG = Magnetic control gear

Lamp Operation

Burn Position Any
Maximum Seal Temperature 350° C
Cooling Forced Cooling/Fan
Lamp can be used on electronic or AC magnetic
Ballast/igniters

Application Information

- Do not exceed rated wattage or voltage
- Replace lamp at or before rated life
- Do not exceed rated seal temperature
- Use only with properly rated fixtures and ballasts

Distributor:



GE imagination at work

Techni-Lux
www.techni-lux.com

Phone: 407-857-8770
Fax: 407-857-8771
Email: sales@techni-lux.com