

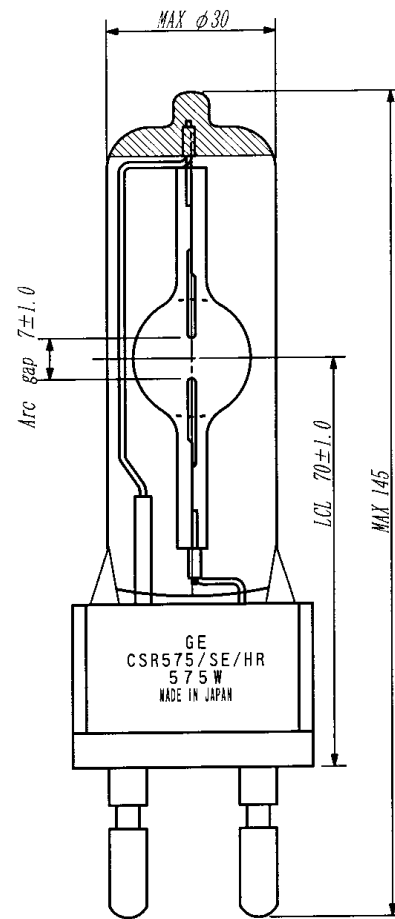
CSR Lamps

The GE CSR575/SE/HR lamp is a metal halide lamp with an outer jacket and a small arc gap of 7 mm providing greater optical control and luminance. This lamp is compact and suitable for hot restrike applications. The CSR575/SE/HR is mainly used in event lighting, studio, and film lighting.

Product Description CSR575/SE/HR

•Order Description	CSR575/SE/HR
•Product Code	48463
•Pack Quantity	10
•Rated Wattage	575W
•Rated Voltage	95± V
•Lamp Current (ECG/MCG)*	6.1A
•Ignition Voltage (cold/hot)	2.5/20(MAX)
•Lumens	48,000 Lm
•Lumens per watt	83
•Ra	>90
•Chromaticity coordinates	x 0.323 y 0.328
•Color temperature	6,000K
•Arc Length	7(MAX)mm
•Lamp length	MAX145
•Light center length	70±
•Lamp diameter	MAX ϕ 30
•Average rated life	750hr
•Base	G22

*ECG = electronic control gear / MCG = Magnetic control gear



Lamp Operation

Burn Position	Any
Maximum Seal Temperature	350° C
Cooling	Forced Cooling/Fan
Lamp can be used on electronic or AC magnetic Ballast/igniters	

Application Information

- Do not exceed rated wattage or voltage
- Replace lamp at or before rated life
- Do not exceed rated seal temperature
- Use only with properly rated fixtures and ballasts

Distributor:



GE imagination at work



Phone: 407-857-8770
Fax: 407-857-8771
Email: sales@techni-lux.com