

D-SPLIT– Datasheet

DMX512 Optical isolator/splitter



The D-SPLIT is a 1-to-4 DMX512 splitter, designed to distribute a single DMX signal to multiple output chains. This allows you to expand the number of connected fixtures—overcoming the DMX limitation of 32 devices per line—or send the signal in multiple directions.

Simply connect your DMX signal to one of the DMX inputs, and the D-SPLIT will replicate the signal across four independent outputs. Each output is optically isolated, providing protection of up to 1000V against stray voltage, safeguarding both your DMX controller and connected fixtures.

The D-SPLIT gives you greater flexibility in system design. Rather than being confined to a single daisy chain, you can use each output as the starting point for its own DMX line. For even larger setups, multiple D-SPLIT units can be cascaded together to meet your distribution needs.

Features

- **Lightweight and portable.**
- **1 DMX input.**
- **4 DMX outputs (choose between 3 SKUs).**
- **Available in 3-Pin (70574), 5-Pin (70579), or a combination of 3-Pin & 5-Pin (70578) connector configurations supporting one DMX universe output.**
- **All outputs are optically isolated (protects against up to 1000V of stray voltage).**
- **DMX512-1990 compatible.**
- **Controls up to 512 channels.**
- **Daisy chain via input ports without utilising any output ports.**
- **LED indicators when powered.**
- **External power supply (included).**

Specification

Connectors	Input ¹	1x 5-Pin XLR 1x 3-Pin XLR
	Output	4x 3/5-Pin XLR
IP rating	IP20	
LED indicators	Power & Data Output	
Input Protocol	USITT DMX512-1990	
Output Protocol	USITT DMX512-1990	
RDM compatibility	No	
Max channel	512 channels (1 Universe)	
Input Voltage	7V-24VDC	
Maximum Current	400mA	
Environmental operating temperature	0°C to 50°C 32°F to 122°F	
Environmental operating humidity	5- 95% (non-condensing)	
Body material	ABS plastic	
Unit dimensions	116 x 87 x 52mm	
Unit weight	0.16kg / 0.35lbs	
Shipping dimensions	235 x 160 x 68mm	
Shipping weight	0.5kg / 1.10lbs	
Warranty	1 year return to base manufacturer warranty	

¹ Only one input is allowed. No output/error with 2 input signals simultaneously.

Certification



Box Content

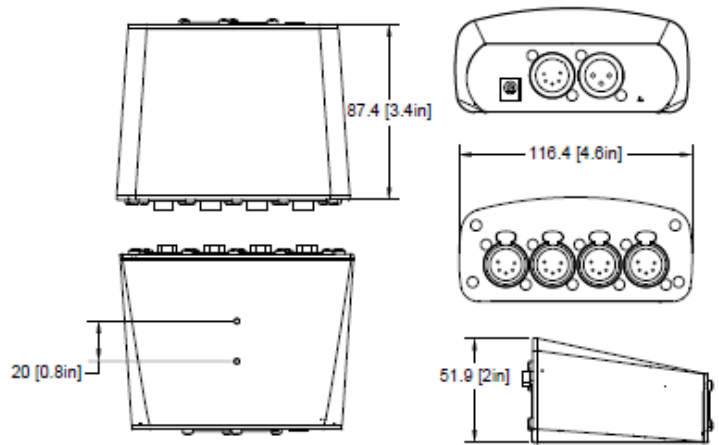
- D-SPLIT
- Power supply with UK/EU/S/AU adaptor
- TS35 DIN clip & 2x mounting screws

enttec.com

MELBOURNE AUS / LONDON UK / RALEIGH-DURHAM USA / DUBAI UAE

Due to constant innovation, information within this document is subject to change.

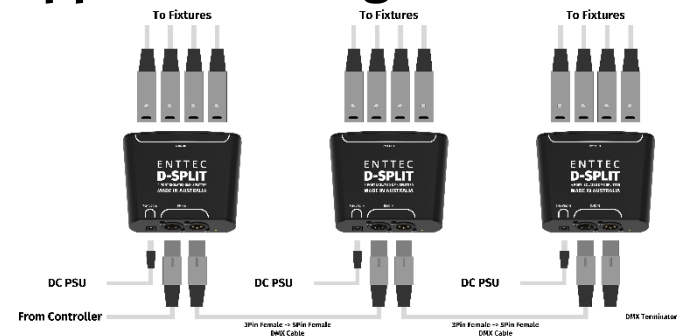
Dimension



DMX Connector Pin Config.

3/5 Pin		
Pin 1: 0V	Pin 2: Data -	Pin 3: Data +
Pin 4: NC	Pin 5: NC	

Application Diagram



Safety

- This unit is intended for indoor use only. Do not expose to rain or moisture, doing this will void the warranty.
- Make all the connections before you plug in the mains power.
- Do not open the unit, there are no serviceable parts inside.
- Never plug this unit into a dimmer pack.

Ordering Information

For further support and to browse ENTTEC's range of products visit the [ENTTEC website](https://www.enttec.com).

Item	SKU
D-SPLIT (4x 3-PIN OUTPUT)	70574
D-SPLIT (2x 3PIN and 2x 5PIN OUTPUT)	70578
D-SPLIT (4x 5 PIN OUTPUT)	70579