

RDM DMX Splitter 6 way

Product Code
AC-RDMSPLIT6RJ

RJ45 & 5-Pin XLR IN/OUT

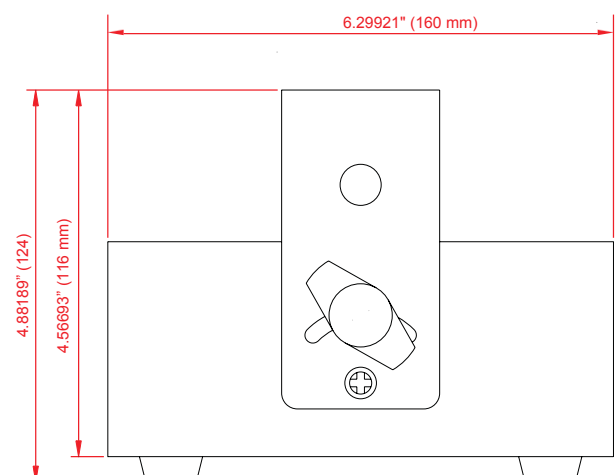
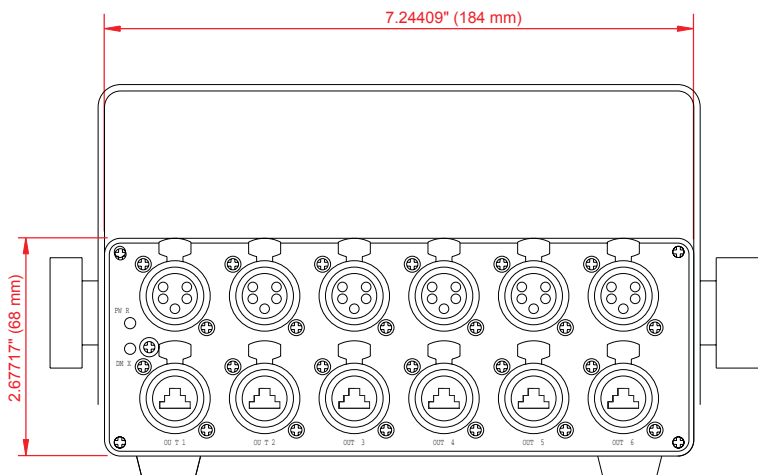
Product Description

Professional way to properly split, boost and isolate DMX512 lines for protection and multiple data runs. Allows RDM to pass through. Provides one input, 6 isolated outputs in both RJ45 and 5-pin XLR configurations in a compact and rugged enclosure. Integrated bracket allows a clamp to attach to the splitter. Indicator LEDs show power and signal in. PowerCon type power in connector. Optional rack mounting plates available.



Specifications

- DMX 512 and RDM E1.20 compliant
- Data Input: RJ45 Female or 5-pin XLR Male for DMX input
- Data Thru: RJ45 or 5-pin XLR Female for DMX Loop Pass-Thru
- Data Output: (6) RJ45 or 5-pin XLR Female DMX isolated outputs
- No power switch - avoids accidental shut off
- Includes adjustable clamp mounting bracket
- Safety Hook attachment point
- Power cord included: 5 ft powerCon to Edison
- Power Input: 110-240vAC 50/60hz
- Size: 6.5" x 7.25" x 3"
- Weight: 1.55 kgs/3.4 lbs
- Color: Black
- Material: Aluminum and Steel
- Approvals: CE



RDM DMX Splitter 6 way

Product Code
AC-RDMSPLIT6XD

RDM DMX Splitter 6 way - 3 & 5 pin XLR IN/OUT

Product Description

Professional way to properly split, boost and isolate DMX512 lines for protection and multiple data runs. Allows RDM to pass through. Provides one input, 6 isolated outputs in both 3 and 5 pin XLR configurations in a compact and rugged enclosure. Integrated bracket allows a clamp to attach to the splitter. Indicator LEDs show power and signal in. PowerCon type power in connector. Optional rack mounting plates available.



Specifications

- DMX 512 and RDM E1.20 compliant
- Data Input: 3 or 5 pin XLR Males for DMX input
- Data Pass-Thru: 3 or 5 pin XLR Female DMX Loop
- Data Output: (6) 3 or 5 pin XLR Female DMX isolated outputs
- No power switch - avoids accidental shut off
- Includes adjustable clamp mounting bracket
- Safety Hook attachment point
- Power cord included: 5 ft powerCon to Edison
- Power Input: 110-240vAC 50/60hz
- Size: 6.5" x 7.25" x 3"
- Weight: 1.55 kgs/3.4 lbs
- Color: Black
- Material: Aluminum and Steel
- Approvals: CE



OPTIONAL ACCESSORIES

Rack Mounting Plate for AC-RDMSPLIT6RJ and AC-RDMSPLIT6XD unit

ZHPL0053

19" x 2U Rack mount panel for a single RDM Split 6. Includes screws to mount splitter to the plate.

Specifications: Size: (LxWxH) 19" x 3.5" x 0.5" ■ Weight: 0.65 kgs/1.44 lbs ■ Color: Black ■ Material: Steel

ZHPL0054

19" x 2U Rack mount panel for two RDM Split 6's. Includes screws to mount splitters to the plate.

Specifications: Size: (LxWxH) 19" x 3.5" x 0.5" ■ Weight: 0.45 kgs/1 lb ■ Color: Black ■ Material: Steel



10900 Palmbay Drive,
Orlando, FL 32824 U.S.A.
Phone: 407-857-8770
Fax: 407-857-8771

Techni-Lux
www.techni-lux.com

04/09/19