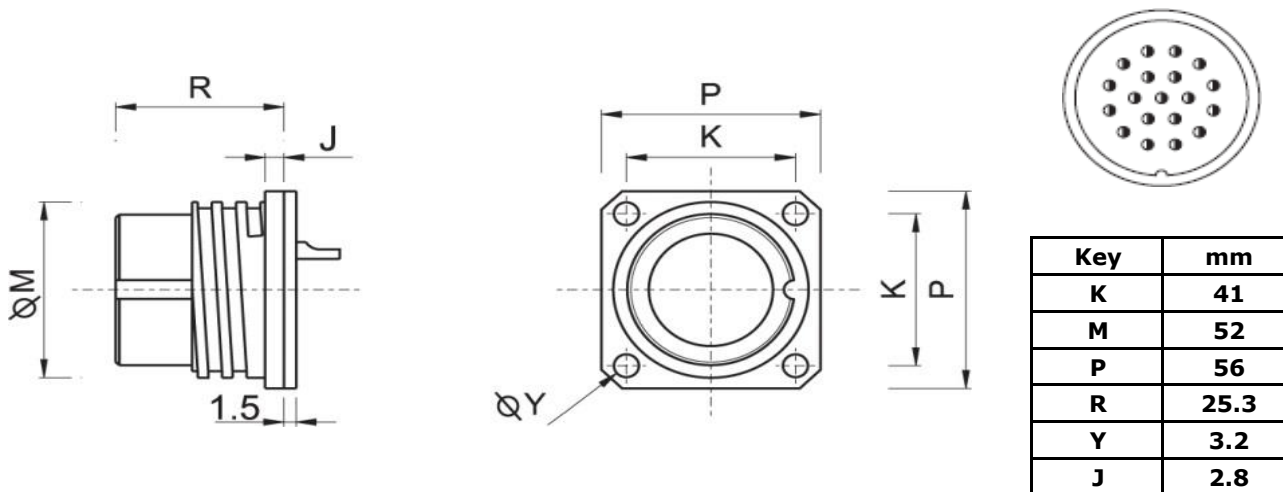


Techni-Lux Part No: CO-19PIN-PF-C
 CEEP Part No: 9202419E00S020 (Leading Earth)

19 x 25A Solder Contacts, 400V Constant, 1,750V Peak. IP67 (Waterproof) When mated



Technical Data

Connector Type:	Circular Series 92	Current Rating:	19 x 25A
Plan-form:	419E, 19 Pin	Voltage Rating:	400V
Gender:	Female Socket	Peak Voltage:	1,750
Termination Method:	Solder	Max Wire Area Size:	19 x 5.1mm ²
Contact Material:	Copper Alloy	Contact Resistance:	5mΩ
Contact Plating:	Gold over Nickel	IP Rating:	IP67
Shell Material:	Aluminium Alloy	Min Operating Temperature:	-40°C
Shell Plating:	Black anodised (non conductive)	Max Operating Temperature:	+85°C
Insulator Material:	Thermoestable	Termination Method:	Screw Lock

Mating Parts

Male inline connector with coupling nut	9206419AR0PA20	9207419AR0PA20
	9206419AR0PB20	9207419AR0PB20
	9206419AR0PD20	9207419AR0PD20
Male right-angled connector with coupling nut	9208419AR0PA20	
	9208419AR0PB20	
	9208419AR0PD20	

Accessories

IP67 Waterproof cap	92T0240S20
---------------------	------------

CC210715

Distributor:
 Phone: 407-857-8770
 Fax: 407-857-8771
 Email: sales@techni-lux.com
 www.techni-lux.com