

Single Pole Devices and Temporary Power  
Series 15 - 150 Ampere, 600V AC/DC  
Gender Reversing Devices

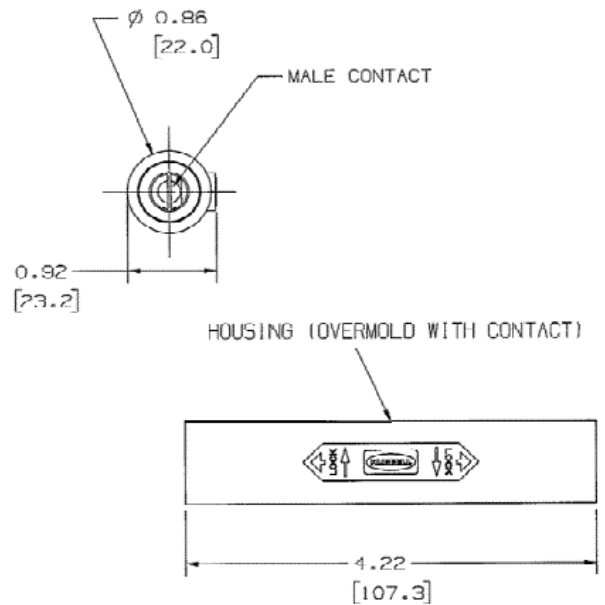
# HUBBELL

## Ordering Information

Description	Device Color	UPC Number	Catalog Number
Male-Male, 150A, 600V AC/DC device	Green	783585458670	HBL15DMGN

## Listings

UL and cUL Listed  
UL Enclosure Types 3R, 4X, 12  
National Electric Code (NEC), ANSI/NFPA 70



## Online Resources

Customer Sales Drawings  
eCatalog  
Installation Instructions



Dimensions in Inches (mm)

Hubbell Wiring Device-Kellems • Hubbell Incorporated (Delaware) • 40 Waterview Drive • Shelton, CT 06484

Phone (800) 288-6000 • Fax (800) 255-1031 • Specifications subject to change without notice.

Distributor:



Phone: 407-857-8770

Fax: 407-857-8771

Email: [sales@techni-lux.com](mailto:sales@techni-lux.com)

**Distributor:**



Phone: 407-857-8770  
Fax: 407-857-8771  
Email: [sales@techni-lux.com](mailto:sales@techni-lux.com)