

Hubbellock® Devices
60A, 600V AC, 4 Pole, 5 Wire Grounding
Hubbellock® Receptacle

HUBBELL

Features

- Spring loaded safety shutter contains arcing when mating or un-mating devices under load
- Spring loaded safety shutter automatically ejects the plug eliminating contact teasing
- Box terminals in conjunction with stainless steel screws provide maximum termination strength and dependability
- Metallic weather protective spring loaded cover provides protection from moisture and dust

Ordering Information

Description	Device Color	UPC	Catalog Number
Black phenolic interior with long aluminum housing and lift cover and blue finish	Blue	783585017518	HBL26520

Listings

Listed to UL Standard
Certified to CSA Standard

Specifications

Housing / Cover	Cast Aluminum
Rivet	Aluminum
Spring	Stainless steel
Receptacle Interior	Phenolic
Contacts / Springs	Copper alloy
Terminal	Copper
Terminal Screws	Stainless steel
Flange Gasket	Neoprene
Mounting Screws	Zinc plated steel

Performance

Electrical

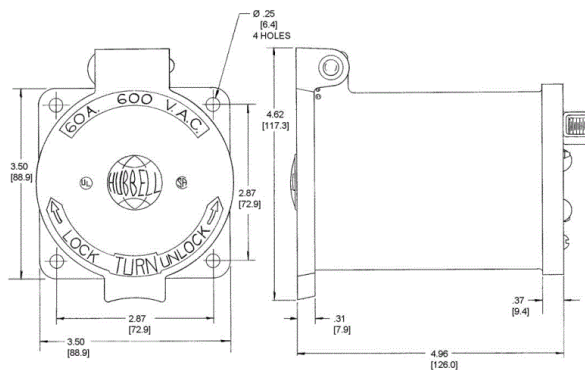
Current Interrupting	Certified for current interrupting at full rated current
Dielectric Voltage	2,000V minimum

Mechanical

Terminal Accommodation	#8 AWG - #4 AWG solid or stranded copper wire only.
Terminal Identification	Terminals identified in accordance with UL 498

Environmental

Flammability	UL 94 V0
Moisture Resistance	IP44 Suitability
Operating Temperatures	Maximum Continuous 75°C; Minimum -40°C (w/o impact)



Accessories

Plug	HBL26519
Backbox	HBL26401
Straight Adapter	HBL26402
Angled Adapter	HBL26404

Resources

Customer Use Drawing
eCatalog



Dimensions in Inches (mm)

Hubbell Wiring Device-Kellems • Hubbell Incorporated (Delaware) • 40 Waterview Drive • Shelton, CT 06484

Phone (800) 288-6000 • Fax (800) 255-1031 • Specifications subject to change without notice.

Distributor:



Phone: 407-857-8770

Fax: 407-857-8771

Email: sales@techni-lux.com

www.techni-lux.com