

Twist-Lock® Devices

30A 3-Phase 120/208V AC, 4-Pole 5-Wire

Spring Terminated InsulGrip® Plug

HUBBELL

Features

- Faster termination time
- No need for screwdriver and torque wrench
- Spring Termination eliminates strand relaxation
- Funnel shaped wire entry for ease of termination.
- Superior cord grip design protects terminations from excess strain

Ordering Information

| Description | Cord Diameter | UPC Number | Catalog Number |
|------------------------|----------------------|-------------|----------------|
| Black and white nylon. | 350"-1.150" (9-29) 7 | 78358568159 | HBL2811ST |

Listings

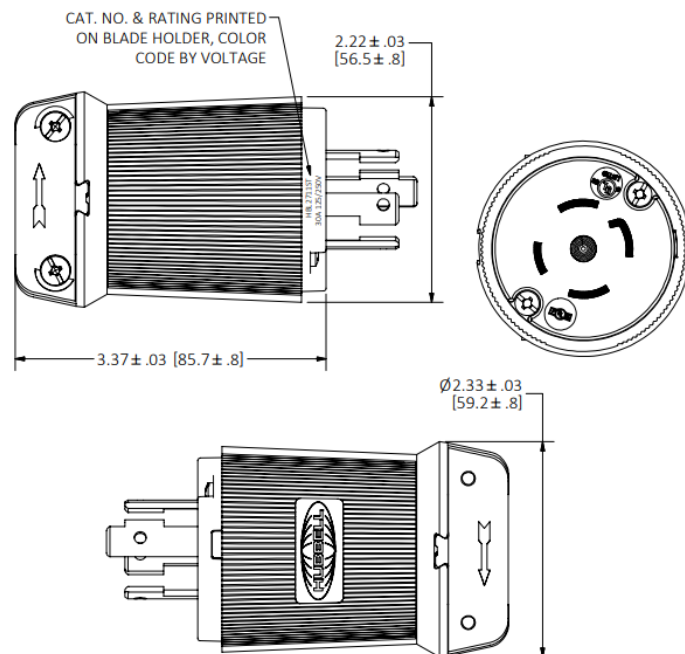
Listed to UL 498
Fed.Spec. W-C-596
Certified to CSA C22.2 No.42

Specifications

| | |
|-----------------------|-----------------------|
| Housing / Cord Clamp | Nylon |
| Terminal Retainer | Nylon |
| Plunger | Nylon |
| Blades | Copper Alloy |
| Terminal Spring Clamp | Spring Steel |
| Assembly Screws | Zinc Plated Tri-drive |
| Weight (lbs) | 0.35 |

Performance

| Electrical | |
|-------------------------|--|
| Current Interrupting | Certified for current interrupting at full rated current |
| Dielectric Voltage | Withstands 3,000V minimum |
| Mechanical | |
| Terminal Accommodation | #14 AWG - #8 AWG stranded copper wire only |
| Terminal Identification | Terminals identified in accordance with UL 498 |
| Environmental | |
| Flammability | HB or better per UL94/CSA 22.2 No.0.17 |
| Moisture Resistance | IP20 Suitability |
| Operating Temperatures | Maximum Continuous 75°C, Minimum -40°C (w/o impact) |



Online Resources

eCatalog



Wiring Device-Kellems

Dimensions in Inches (mm)

Hubbell Wiring Device-Kellems • Hubbell Incorporated (Delaware) • 40 Waterview Drive • Shelton, CT 06484

Phone (800) 288-6000 • Fax (800) 255-1031 • Specifications subject to change without notice.

Distributor:



Phone: 407-857-8770

Fax: 407-857-8771

Email: sales@techni-lux.com

www.techni-lux.com