

## Product Data Sheet

<b>Product Type</b>	<b>IP65 RJ45 Socket IP65 RJ45</b>	
<b>Product Model</b>	<b>SE8FDY-02</b>	
<b>Product Features</b>		
<ul style="list-style-type: none"><li>➤ Accommodates SE8MC-02 or any standard RJ45 plug</li><li>➤ D-shape panel connector with uniform metal flange and standard D-style installation size</li><li>➤ Can reach protection level of IP65 when used with waterproof cap which fully meets long-lasting and stable signal transmission under severe outdoor conditions</li><li>➤ Install from the front the panel</li><li>➤ Conforms to Class D as defined by TIA/EIA 568B and ISO/IEC 11801 standards</li><li>➤ The back end is 180 degree 2x4P horn</li></ul>		
		<p><b>Distributor:</b></p>  <p>Phone: 407-857-8770 Fax: 407-857-8771 Email: <a href="mailto:sales@techni-lux.com">sales@techni-lux.com</a> <a href="http://www.techni-lux.com">www.techni-lux.com</a></p>



## Product Data Sheet

### Product Parameters

Item	Specification
Connection type	RJ45
Gender	Female

### Electrical Parameters

Item	Specification
Contact resistance	< 10 mΩ
Rated current per contact	0.5 A/PIN
Rated voltage	50 V
Insulation resistance	≥ 0.5 GΩ
Dielectric strength	1 KV DC
Frequency range	1~100 MHz
Transmission performance	Class D



## Product Data Sheet

### Mechanical Parameters

Item	Specification
Insertion force	≤ 40 N
Chassis shape	D-shape
Service life	> 1000 mating cycles > 1000
Locking device	Latch lock

### Material and Environmental Parameters

Item	Specification
Housing	Zinc alloy
Housing plating	Pearl Cr coating
Contacts	Copper alloy
Contact plating	Au
Protection degree	IP65
Temperature range	-30°C ~ +80°C

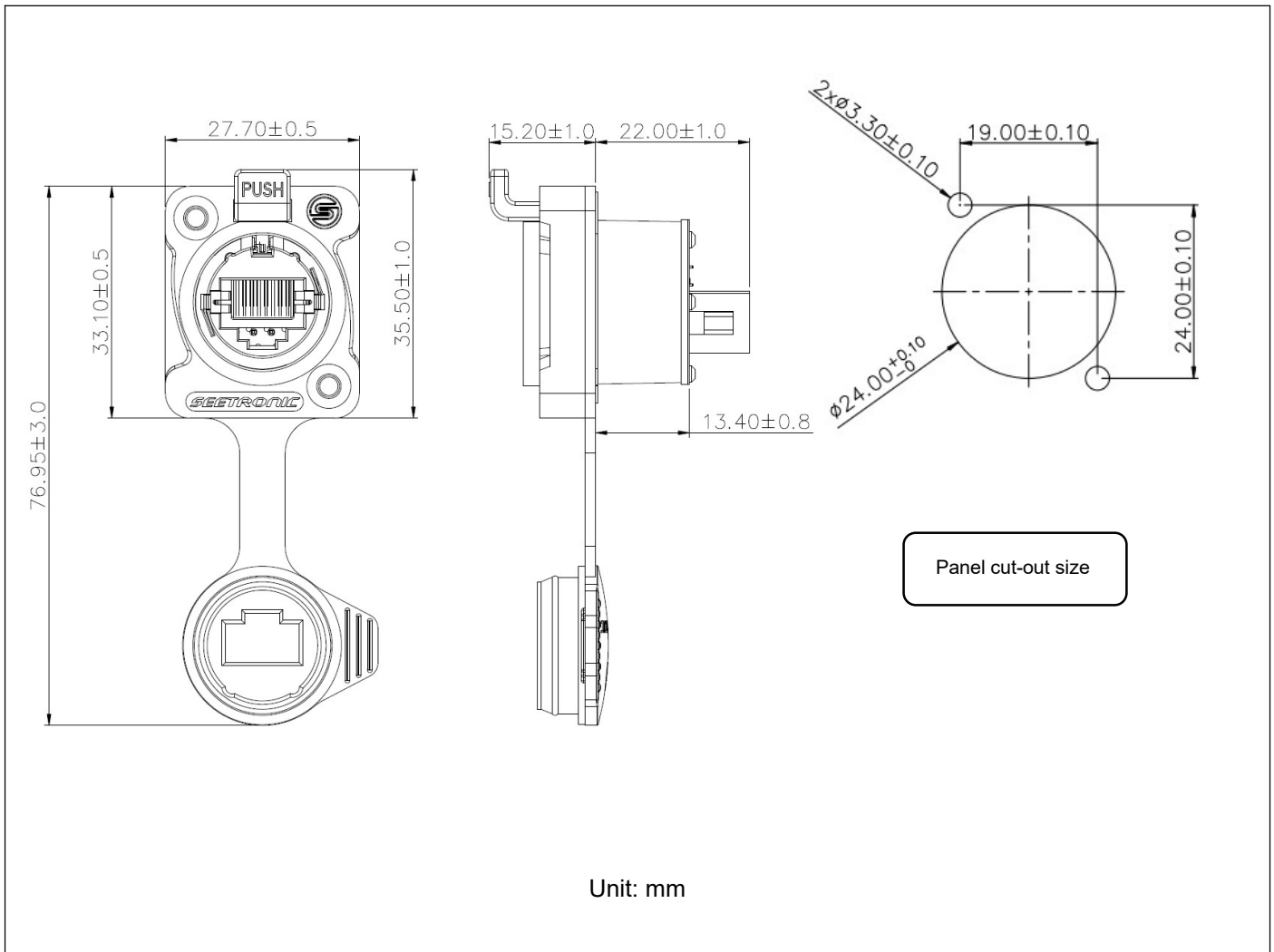
### Standards and Certifications

Standards	TIA/EIA 586B, IEC11801
-----------	------------------------



## Product Data Sheet

### Product Drawing



### Packaging Method

1 pc per bag

50 pcs per inner carton, 5 inner cartons per master carton (250 pcs per master carton)



## Product Data Sheet

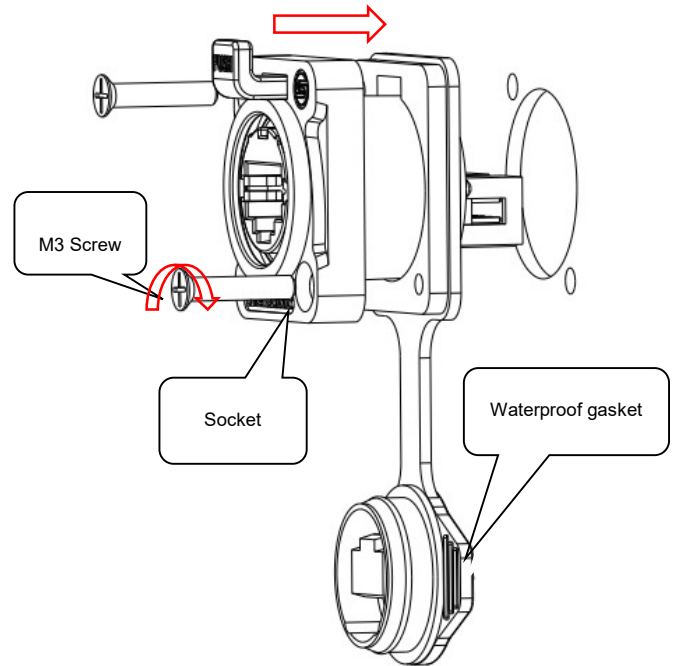
### Accessory

- |   |   |
|---|---|
| <input type="checkbox"/> No accessories             | <input type="checkbox"/> Back fastener plate          |
| <input checked="" type="checkbox"/> Screws and Nuts | <input checked="" type="checkbox"/> Waterproof gasket |

### Assembly Instructions

- (1) First, match the waterproof gasket with the socket, and then install the socket in the open hole of the panel. Finally, tighten the screws with 0.5 Nm torque in a clockwise direction.

(Note: Panel thickness 1.5 ~ 4.0mm)



- (2) Wiring diagram

