



PIVOT^{CUE}
512

PIVOT^{WING}
512

Quick Start Guide

SAFETY INSTRUCTIONS

Before using these devices, please read carefully all the warnings and instructions contained in the user manual. The complete **USER MANUAL** for PIVOT CUE 512 and PIVOT WING 512 is included in the USB memory key supplied with the PIVOT CUE 512 controller.

WHAT'S IN THE BOX

If Purchased Pivot Cue

- N. 1 PIVOT CUE 512
- N. 1 Mains Adapter 12V - 2A
- N. 1 USB Lamp
- N. 1 USB memory key with the following files: user manual, fixture editor program for Windows PC, fixture files

If Purchased Pivot Wing – Sold separately

- N. 1 PIVOT WING 512
- N. 1 CAT5 UTP cable (1mt)
- N. 1 PIVOT CUE 512-PIVOT WING 512 link plate
- N. 4 MA 3x 12mm screws

POWERING UP

The PIVOT CUE 512 controller should only be connected to power source type specified on the AC/DC adapter. If the supplied AC power plug is different from the wall socket, please contact an electrician to change the AC power socket or contact **Techni-Lux** to change the AC/DC adapter. The adapters that can be supplied by **Techni-Lux** are the following:

- VDE PLUG for all UE countries except UK
- BS PLUG for UK country
- UL PLUG for US country

If the devices are not used for a long period of time, please unplug the power adapter from AC power outlet.

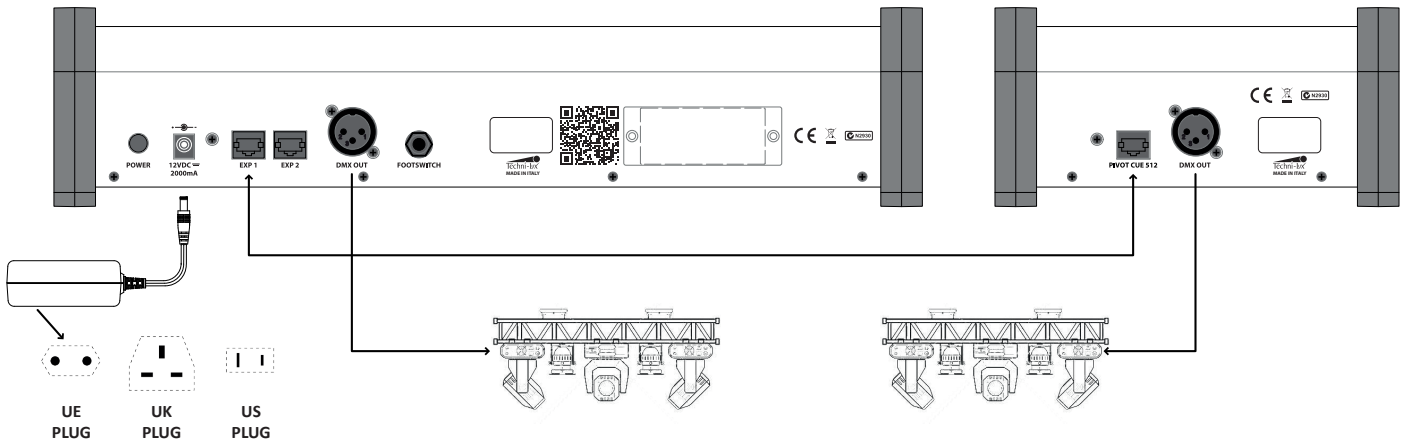
OPERATING INSTRUCTIONS

For a quick setup see the pictures on the next page.

For detailed instruction see the **USER MANUAL**: PIVOT CUE 512 is a powerful and easy to use DMX controller, but to get the best results it's essential to read thoroughly the manual.

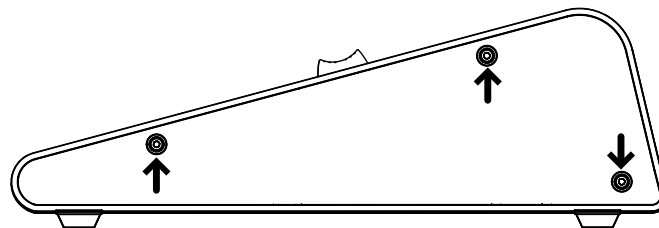
The User Manual contained in the memory key is in PDF file format, so to read it and print it you must download the ADOBE READER software freely available from the web site www.adobe.com.

QUICK CONNECTIONS



ATTACHING PIVOT WING TO PIVOT CUE

With a phillips screwdriver remove the 3 screws and the right plastic side of PIVOT WING 512.



Attach the PIVOT WING 512 to the PIVOT CUE 512 left side using the supplied plate and four screws.

