

IP Plink Injector – Installation Guide



IP66 Plink Injector for outdoor installation.



Content

Safety.....	2
Electrical safety.....	2
Jumper voltage guide <i>IMPORTANT</i>	2
System Planning and Specification	3
Protection from Injury During Installation.....	3
Installation Safety Guidelines.....	3
Physical Dimensions.....	3
Installation.....	4
Wiring.....	4
Sealing metal enclosure	4
Surface mounting.....	4
Servicing, Inspection & Maintenance.....	4
Cleaning.....	5
Ordering Information	5

Safety

⚠ Ensure you are familiarized with all key information within this guide and other relevant ENTTEC documentation before specifying, installing, or operating an ENTTEC device. If you are in any doubt about system safety, or you plan to install ENTTEC device in a configuration that is not covered within this guide, contact ENTTEC or your ENTTEC supplier for assistance.

ENTTEC's return to base warranty for this product does not cover damage caused by inappropriate use, application, or modification to the product.

Electrical safety

- ⚠** This product must be installed in accordance with applicable national and local electrical and construction codes by a person familiar with the construction and operation of the product and the hazards involved. Failure to comply with the following installation instructions may result in death or serious injury.
- Do not exceed the ratings and limitations defined in the product datasheet or this document. Exceeding can cause damage to the device, risk of fire and electrical faults.
- Ensure that no part of the installation is or can be connected to power until all connections and work is complete.
- Before applying power to your installation, ensure your installation follows the guidance within this document. Including checking that all power distribution equipment and cables are in perfect condition and rated for the current requirements of all connected devices and factor in overhead and verify that it is appropriately fused and voltage is compatible.
- Remove power from your installation immediately if accessories power cables or connectors is in any way damaged, defective, shows signs of overheating or are wet.
- Provide a means of locking out power to your installation for system servicing, cleaning and maintenance. Remove power from this product when it is not in use.
- Ensure your installation is protected from short circuits and overcurrent. Loose wires around this device whilst in operation, this could result in short circuiting.
- Do not over stretch cabling to the device's connectors and ensure that cabling does not exert force on the PCB.
- Do not 'hot swap' or 'hot plug' power to the device or its accessories.
- Do not connect any of this device's GND connectors to earth.
- Do not connect this device to a dimmer pack or mains electricity.
- Install this product on either insulated or electrically earthed surface.

Jumper voltage guide *IMPORTANT*

This product has 2 settings for voltage input, 5V and 12-24V. An incorrect voltage setting can damage this product. See below for correct positions. User **MUST** ensure this component is correctly positioned.



Position 1&2 = 5VDC



Position 2&3 = 12-24VDC

System Planning and Specification

- Operate this device within ranges specified in datasheet.
- For optimal operating temperature, consider installation with conductive or convective cooling. Refer to datasheet for operating ambient temperature range.

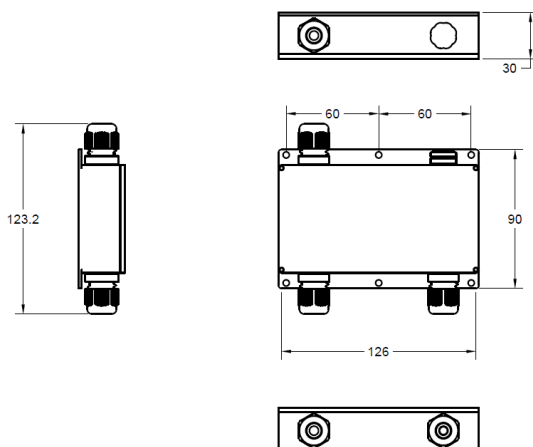
Protection from Injury During Installation

- Installation of this product must be performed by qualified personnel. If ever unsure always consult a professional.
- Always work with a plan of the installation that respects all system limitations as defined within this guide and product datasheet.
- All network cabling should be terminated with an RJ45 connector in accordance with the T-568B standard.
- Always use suitable personal protective equipment during installation
- Once installation is completed, check that all hardware and components are securely in place and fastened to supporting structures if applicable.

Installation Safety Guidelines

- Do not modify the device hardware in any way.
- Do not use the device if you see any signs of damage.
- Do not handle the device in an energized state.
- Do not sign off a system without ensuring all cabling to the device and accessories has been appropriately restrained, secured and is not under tension.
- Protect product from swarf and dust during setup and installation.
- When planning for vertical/overhead installation, consider both the weight of the product and the cabling for the mounting solution.
- To avoid damage to product metalwork, DO NOT use countersunk screws or bolts for surface mounting.
- Never plug PLink ports into Ethernet outlets or network infrastructure.
- All cables should be restrained with adequate slack to ensure the cables cannot be pulled out.
- Make all the connections before you plug in the main power supply.

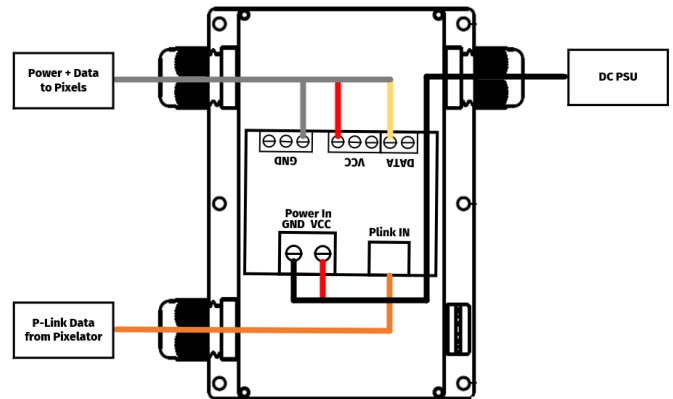
Physical Dimensions



Installation

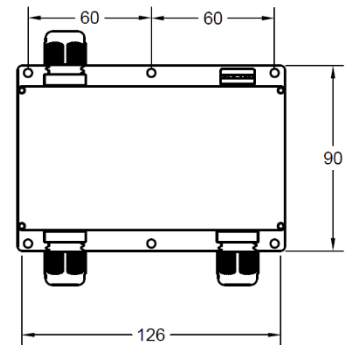
Wiring

- Locate power supply as close as possible to product to minimise impact of voltage drop.
- ENTTEC recommend the use of stranded copper cabling rated to handle the maximum current deliverable from your selected power supply.
- ENTTEC recommends the use of cable ferrules for all stranded cables connected to screw terminal for reliable connection.
- Maximum recommended data extensions between devices when using PLink are 300 meters over Cat6 cable.
- Cable glands suit diameter 4mm to 8mm cable.



Sealing metal enclosure



- 4pcs of hex socket head cap screw will be provided.
- Insert foam gasket provided in packaging to groove on bottom side of top lid.
- Only HAND TIGHTEN the screws manually with 2.0mm size Allen key as excessive torque might result in broken screw or damage sealing gasket responsible for IP protection.
- Lightly tighten the screws at first, then rotate between each screw to tighten gradually to lower the top lid smoothly.



Surface mounting

- IP Plink Injector features 6 * M4 surface mounting holes for either screws or bolts.

Servicing, Inspection & Maintenance

- 
 - **The device has no user serviceable parts. If your installation has become damaged, parts should be replaced.**
- 
 - **Power down the device and ensure a method is in place to stop the system from becoming energized during servicing, inspection & maintenance.**

Key areas to examine during inspection:

- Ensure all connectors are mated securely and show no sign of damage or corrosion.
- Ensure all cabling has not obtained physical damage or been crushed.
- Check for dust or dirt build up on the device and schedule cleaning if necessary.

To order replacement devices or accessories contact your reseller or message ENTTEC directly.

Cleaning

Dust and dirt build up can limit the ability for the device to dissipate heat resulting in damage. It is important that the device is cleaned in a schedule fit for the environment it is installed within to ensure maximum product longevity.

Cleaning schedules will vary greatly depending on the operating environment. Generally, the more extreme the environment, the shorter the interval between cleanings.



- **Before cleaning, power down your system and ensure a method is in place to stop the system from becoming energized until cleaning is complete.**



- **Do not use abrasive, corrosive, or solvent-based cleaning products on device.**

To clean an ENTTEC device, use low-pressure compressed air to remove dust, dirt and loose particles. If deemed necessary, wipe the device with a damp microfiber cloth.

A selection of environmental factors that may increase the need for frequent cleaning include:

- Use of stage fog, smoke or atmospheric devices.
- High airflow rates (i.e., in close proximity to air conditioning vents).
- High pollution levels or cigarette smoke.
- Airborne dust (from building work, the natural environment or pyrotechnic effects).

If any of these factors are present, inspect all elements of the system soon after installation to see whether cleaning is necessary, then check again at frequent intervals. This procedure will allow you to determine a reliable cleaning schedule for your installation.

Ordering Information

For further support and to browse ENTTEC's range of products visit the [ENTTEC website](#).

Item	Part No.
IP Plink Injector	73924

Distributor:

 Phone: 407-857-8770
 Fax: 407-857-8771
 Email: sales@techni-lux.com
www.techni-lux.com

enttec.com

MELBOURNE AUS / LONDON UK / RALEIGH-DURHAM USA

Due to constant innovation, information within this document is subject to change.