

Date:

Comments:

Project:



Gantom One DMX



Gantom One DMX Beam Control Accessories



Gantom One DMX with Hex Louver

Product Model

- GC255 - Gantom One DMX - Cool White (6500K)
- GC256 - Gantom One DMX - Warm White (3000K)
- GC257 - Gantom One DMX - Ultraviolet (395nm)

Features

- Ultra narrow beam optics for optimal, long-distance throw
- Exceeds output of traditional 30W pinspots while using only 4.8W
- Low voltage and minimal heat for improved safety over incandescent sources
- Magnetic accessory attachment for filters and diffusers included
- Warm White or Cool White LED
- Individually addressable and DMX controllable
- Internal constant-current driver gives efficient and consistent output
- Class 2, low-voltage 12-24VDC input (DO NOT HOT PLUG)
- Minimal maintenance required with over 50,000 hour lamp life.

Description

Compact, powerful, versatile? this is the One. Gantom listened to some of the most skilled lighting professionals in the industry and, based on their input, designed the One; the pinpoint to rule all pinspots. Compared to a traditional 30W pinspot, the One runs cooler and safer on far less power, has much cleaner optics, and can even be run on batteries. The Gantom One features an accessory retainer ring that allows for easy beam shaping attachments such as diffusion lens, snoots, half hats and hex louvers. Choose from an almost infinite array of color filters and diffusers to achieve any effect you desire, then install the perfect option without tools or hassle. Now available in a fully DMX controllable version.

Applications

- Themed entertainment
- Dark rides
- Restaurants
- Museums
- Retail
- Theater and stage
- Trade shows

Optional Components

Accessories

RP32	Replacement Diffuser Pack (4x diffusers with varying beam spread)
FA34	Permanent Gel and Diffuser Retainer for 60 mm Fixture - Black Anodized Finish
FA28	Angled Beam Control Cowling for 60 mm Fixture - Black Anodized Finish
FA27	Beam Control Snoot for 60 mm Fixture - Black Anodized Finish
TL300	Pro Cable Track Adapter for Stucchi EVO Track
TL301	RJ45 Track Adapter for Stucchi EVO Track



Gantom Gantom One DMX

LIGHTING & CONTROLS

DMX Controlled 4.8W Pinspot

Technical Specifications

Physical

Material	Black Anodized Aluminum
IP rating	IP65
	IP67 - With FA47 Installed
Weight	308 grams (10.86 oz)

Electrical

Voltage	12-24V DC
Power	4.5W
Dimming	DMX
Connector	Gantom Pro Cable

Thermal

Ambient operating temperature	0-50° C (32-122° F)
Cooling method	Passive

Certifications

USA / Canada	UL
Europe	CE, RoHS

DMX

Channel footprint	1
Addressing	DarkBox Programmer
Lowest dimming	0.05%

DMX Mapping

CH. 1	Intensity (0%-100%)
-------	---------------------

LED color

Cool White	6500K
Warm White	3000K
Ultraviolet	395nm

Warranty

Fixture	2 Years
---------	---------

Photometrics at Full Power

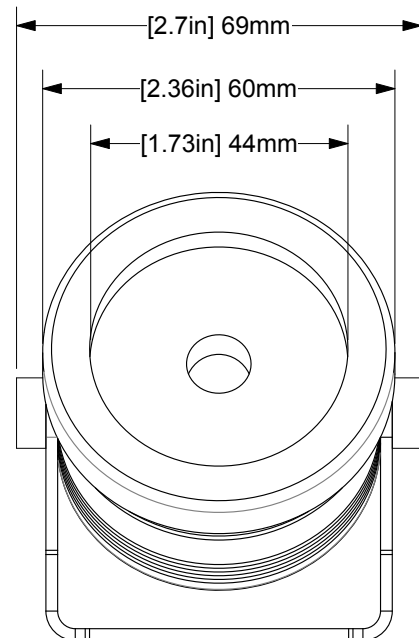
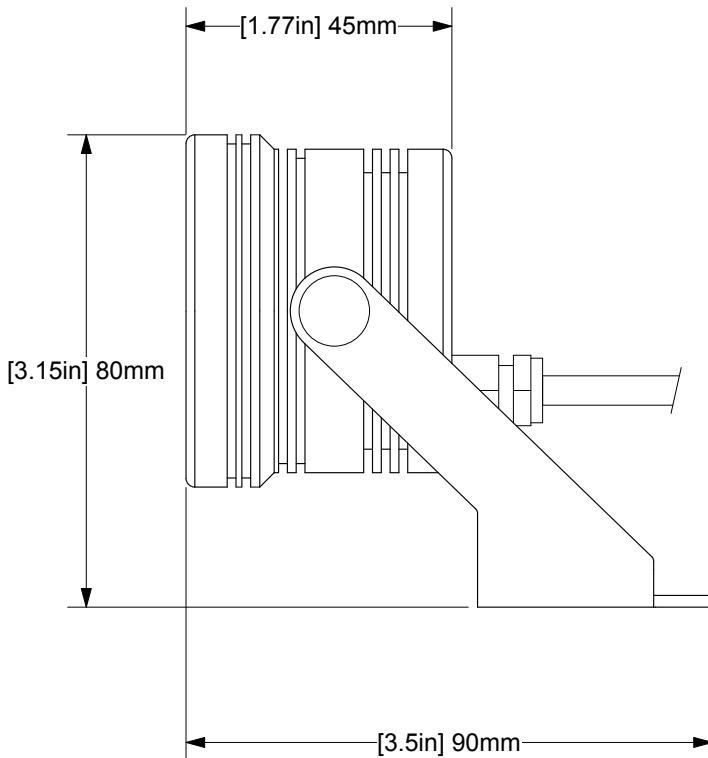
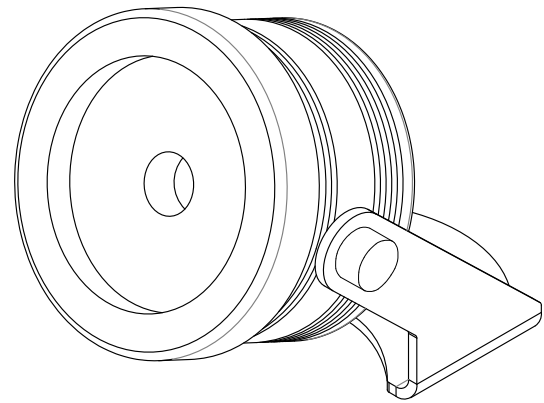
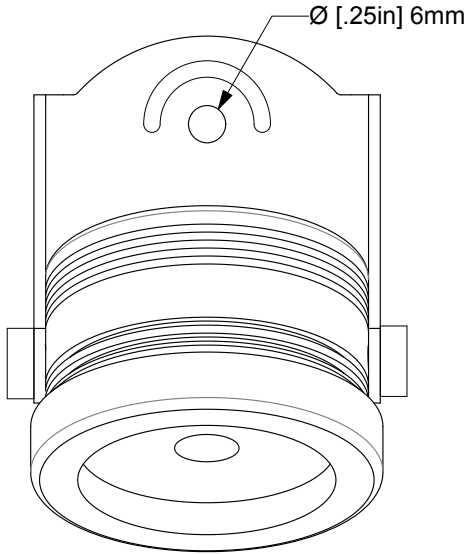
	Beam/Field Angle	1m Illuminance (3.3ft)	2m Illuminance (6.6ft)	3m Illuminance (9.8ft)
Gantom One	4.5° / 12.7°	1603 lx (149 fc)	400.75 lx (37 fc)	178.11 lx (16.5 fc)



Gantom Gantom One DMX

LIGHTING & CONTROLS

DMX Controlled 4.8W Pinspot



Distributor:



Phone: 407-857-8770

Fax: 407-857-8771

Email: sales@techni-lux.com

www.techni-lux.com