

Date:

Comments:

Project:



Gantom ONE UP



Gantom One UP Beam Control Accessories



Gantom ONE UP with Hex Louver

## Product Model

- GC278B - Gantom ONE UP - RJ45
- GP278B - Gantom ONE UP - Pro Cable

## Features

- RGBW color-mixing spotlight
- Tight and punchy native 4.5 degree beam
- Control via DMX512
- Internal constant current driver gives highly efficient and consistent output.
- Compact form factor and included yoke allow for easy and discrete installation.

## Description

Building off the success of the Gantom One, the One UP brings four-color output to this LED pin spot and delivers a tight and punchy beam that produces homogeneous color mixing, even at close distances. Featuring a 4.5 degree beam angle, the Gantom One Up includes 4 diffusion filters, hex louver, and optional top hat, half hat, and angled cowlings for easy control over the beam. Its native DMX control and balanced dimming curve make it perfect for even the most demanding of lighting designers.

## Applications

- Themed entertainment
- Dark rides
- Restaurants
- Museums
- Retail
- Theater and stage
- Trade shows

## Optional Components

### Accessories

FA44	Top Hat for Gantom One and Gantom 7 "B" models
FA45	Half Hat for Gantom One and Gantom 7 "B" models
FA46	Angled Cowling for Gantom One and Gantom 7 "B" models
FA47	Ingress Protection Kit for Gantom One, One Up, and 7 "B" models
RP34	Diffuser Pack for Gantom One, Gantom 7, and Gantom One Up "B" Models
TL300	Pro Cable Track Adapter for Stucchi EVO Track
TL301	RJ45 Track Adapter for Stucchi EVO Track

### Technical Specifications

#### Physical

Material	Black Anodized Aluminum
IP rating	IP65
	IP67 - With FA47 Installed
Weight	308 grams (10.86 oz)

#### Electrical

Voltage	12-24V DC
Power	7.5W
Dimming	DMX
Connector	GC278B - RJ45 GP278B - Pro Cable

#### Thermal

Ambient operating temperature	0-50° C (32-122° F)
Cooling method	Passive

#### Certifications

USA / Canada	UL
Europe	CE, RoHS

#### Photometrics at Full Power

	Beam/Field Angle	1m Illuminance (3.3ft)	2m Illuminance (6.6ft)	3m Illuminance (9.8ft)
Gantom ONE UP	4.5° / 12.7°	1603 lx (149 fc)	400.75 lx (37 fc)	178.11 lx (16.5 fc)

#### DMX

Channel footprint	4
Addressing	DarkBox Programmer
Lowest dimming	0.05%

#### DMX Mapping

RGBW: CH. 1	Red Intensity (0%-100%)
RGBW: CH. 2	Green Intensity (0%-100%)
RGBW: CH. 3	Blue Intensity (0%-100%)
RGBW: CH. 4	White Intensity (0%-100%)

#### LED color

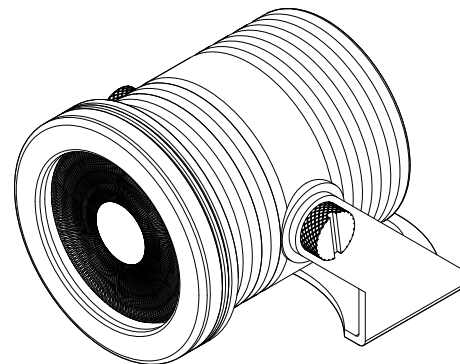
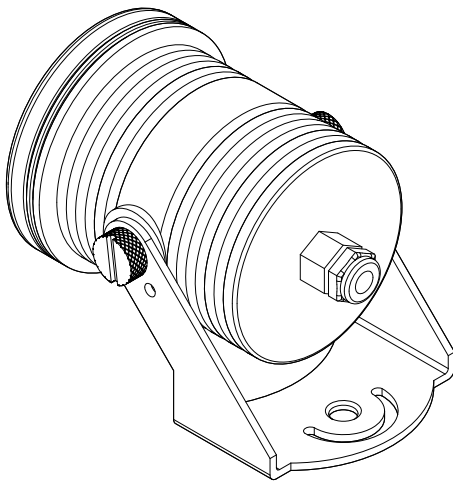
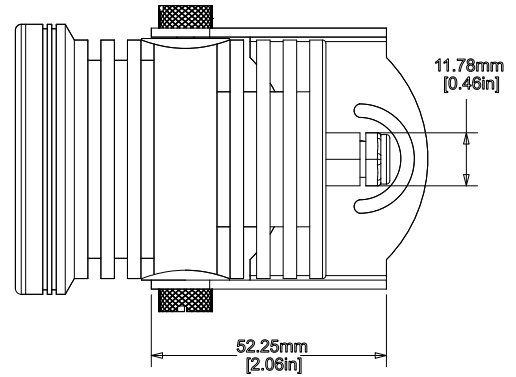
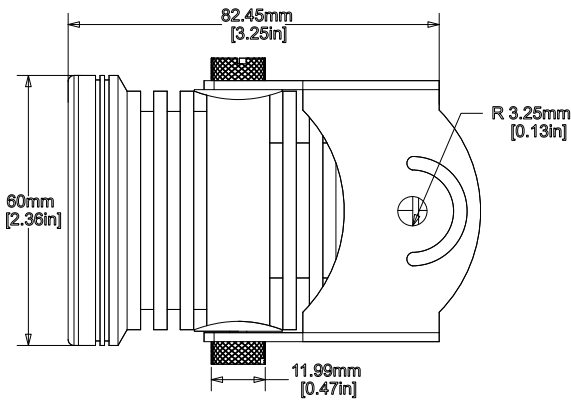
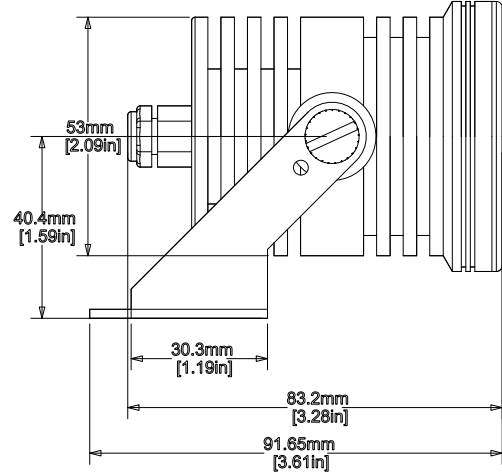
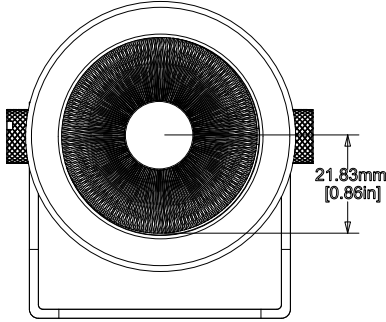
RGBW	Red 625nm, Green 530nm, Blue 460nm, White 6000K
------	--

#### Warranty

Fixture	2 Years
---------	---------

# Gantom One UP

## 4 Color Narrow Beam DMX Spotlight



Distributor:



Phone: 407-857-8770

Fax: 407-857-8771

Email: [sales@techni-lux.com](mailto:sales@techni-lux.com)

[www.techni-lux.com](http://www.techni-lux.com)