

GANTOM TORCH: IR CONTROLLED RGB FLASHLIGHT



It may look like a normal flashlight. It may feel like a normal flashlight. It sometimes even throws out the same light as a normal flashlight. But make no mistake; the Gantom Torch is not some normal flashlight you keep around if the power goes out. Controlled by an infrared signal, like that emitted by the BlinkFX MiniEmitter, the Gantom Torch is a RGB DMX pocket torch with a built in vibration motor. Perfect for themed games and attractions, the Gantom Torch lets you decide exactly what kind of light to give your guests. And since the IR signal is controlled by DMX you never have to worry about human controlled remote controls.



FEATURES

- ✓ Full color control via DMX512 or DMX Programmer app and an IR emitter.
- ✓ RGB chip allows for 16 million possible colors.
- ✓ Integrated force feedback motor for startling jolts of vibration.
- ✓ Non-functional tail click switch to prevent users from accidentally turning off the Torch.
- ✓ Black anodized aluminum housing for sleek looks and rugged toughness.
- ✓ Powered by one 18650 battery (Not included).

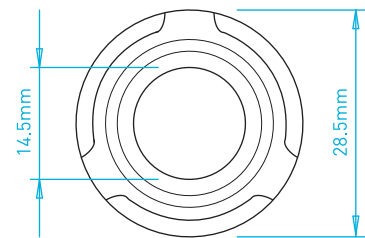
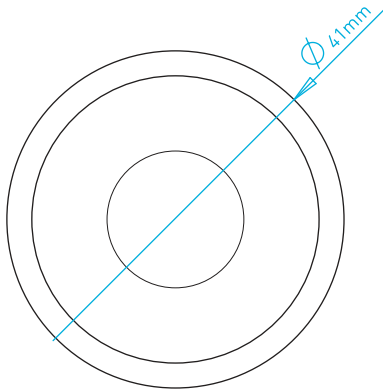
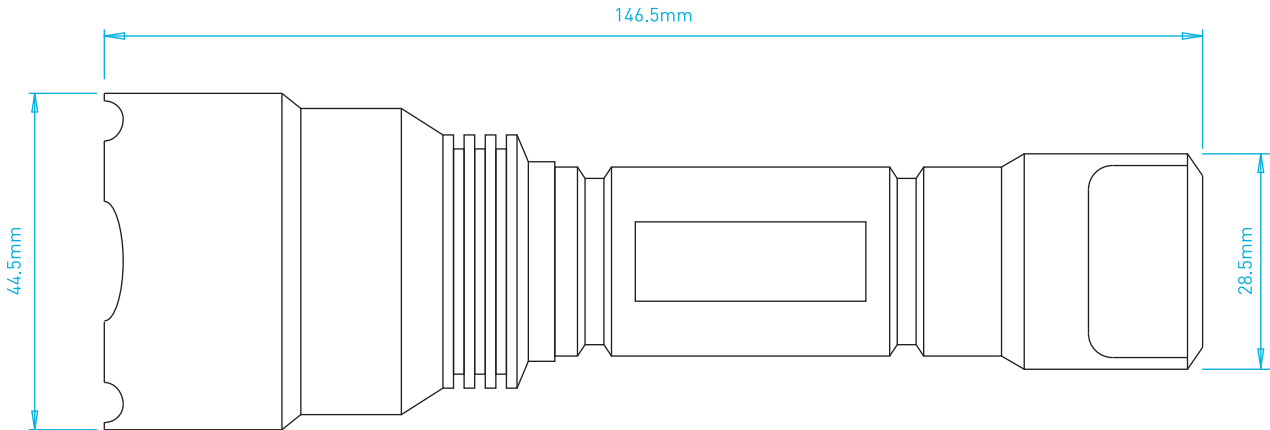
SPECIFICATIONS

MAX WATTAGE	0.5W (RGB on full, motor on) 0.1W (RGB on full, motor off)
INPUT VOLTAGE	3.7VDC
POWER SUPPLY	18650 Battery (Not included)
BEAM ANGLE	19°
FIELD ANGLE	38°
INGRESS PROTECTION	IP65
EXTERIOR FINISH	Black anodized aluminum
CERTIFICATIONS	UL and CE

SKU NUMBER

Gantom Torch - RGB

GT61



Distributor:

Techni-Lux
www.techni-lux.com

Phone: 407-857-8770
Fax: 407-857-8771
Email: sales@techni-lux.com