



Information specifically for:

- DL-LEDPANEL36C/B – Black with RGB LEDS
- DL-LEDPANEL36C/W – White with RGB LEDS
- DL-LEDPANEL36W/B – Black with White/Amber LEDS
- DL-LEDPANEL36W/W – White with White/Amber LEDS
- DL-LEDPANEL36UV/B – Black with UV LEDS

V1.1

This manual contains important information.
Please read before operating fixture.



IMPORTANT INFORMATION

Save original packing and documentation for warranty, service and return issues.

Limited Warranty: This warranty covers defects or malfunctions in this equipment. This warranty lasts for a period of one year from date of purchase. It is the owner's responsibility to provide invoices for proof of purchase, purchase date and dealer or distributor. If purchase date can not be provided, warranty period will start at manufacture date. It is the sole discretion of Techni-Lux to repair or replace parts or equipment. All shipping will be paid by purchaser. This warranty does not cover lamps, fuses, belts, power semiconductors, relays, cleaning, standard maintenance adjustments or normal wear items or any problem resulting from the following: improper wiring, incorrect voltage (including low or over voltage conditions and lightning), abuse, misuse, improper maintenance or an act of God or damage resulting from shipping. Warranty will be null and void if the product is altered, modified, misused, damaged, or subjected to unauthorized repairs. Lamps are covered by relevant manufacturer warranty. This warranty gives you specific legal rights, and you may also have other rights which vary from state to state. Any liability for consequential and incidental damages is expressly disclaimed. No other warranty, expressed or implied is made. Techni-Lux liability in all events is limited to, and shall not exceed, the purchase price paid.

Returning equipment and Repairs: All returns must be accompanied by a Return Merchandise Authorization (RMA) number and sent pre-paid. Contact the dealer or Techni-Lux directly to obtain an RMA. The RMA number must be clearly listed on the shipping label. Due care must be exercised in packing all merchandise to be returned. All repairs must be accompanied by a written explanation of the claimed problem or error encountered. Techni-Lux is solely responsible for determining a product's eligibility for coverage under warranty. If returning for consideration of credit, all accessories and documentation, original protective material and cartons must be included and the equipment, packing and carton must be in new resalable condition. Credit for returned merchandise will be issued at the lowest current price and is subject to a restocking fee. No returns accepted on discontinued items. Techni-Lux is not responsible for merchandise damaged in transit and reserves the right to refuse any return that is damaged by the carrier, not accompanied by a Return Authorization Number (RMA#) or sent by freight collect.

Claims: All claims must be made within seven (7) days of receipt of merchandise. Any physical damage must be reported to carrier upon receipt of merchandise.

Please record the following information for future reference:
Model Number (circle): DL-LEDPANEL36C/B, DL-LEDPANEL36C/W,
DL-LEDPANEL36W/B, DL-LEDPANEL36W/W, DL-LEDPANEL36UV/B

Serial Number: _____

Dealer: _____

Date of Purchase: _____

Table of Contents

Specifications	4
Unpacking	5
Purpose of Manual	5
Power	5
Mounting	6
<i>Optional Mounting Bracket</i>	6
Basic Reference	6
Basic Setup Wiring Diagrams	7
Operation Modes (LED Segment Display)	8
Display Panel Navigation	8
<i>Setting the Start Address for DMX512 Control</i>	8
<i>Setting P(x,y) Standalone Program</i>	9
<i>Setting Master/Slave</i>	9
<i>P(x,y) Standalone Program Chart (RGB models only)</i>	9
DMX-512 Control	10
<i>DMX Data Connection</i>	10
<i>Data Terminator</i>	10
<i>Adapter 5-to-3 pin</i>	10
<i>DMX Start Address</i>	11
DMX Channel Assignments	11
<i>3 Channel Mode</i>	11
<i>Channel Values and Functions – 3 Channel Mode</i>	12
<i>CH 1 : Red</i>	12
<i>CH 2 : Green</i>	12
<i>CH 3 : Blue</i>	12
<i>CH 1 : White</i>	13
<i>CH 2 : White</i>	13
<i>CH 3 : Amber</i>	13
<i>CH 1 : UV</i>	13
<i>CH 2 : UV</i>	13
<i>CH 3 : UV</i>	13
Maintenance	14
Accessory Items (sold separately)	14
Troubleshooting	15
DMX-512 Background	15

Specifications

Fixture Overview

- RGB color mixing, White/Amber variable white or UV Blacklight
- Rugged Heavy Duty Aluminum Housing
- Operating modes: DMX, or Standalone Master/Slave
- 3 Pin DMX connectors
- Segmented LED display menu for settings
- Integrated power supply in base
- Floor standing, wall or ceiling mounting holes
- Adjustable panel angle

Physical

Color	Black or White
Size	13.11" w x 8.27" h x 5.79" d
Weight	9.46 lbs (4.3 kgs)
Housing Material	Aluminum

Environmental

Location	Indoor / Outdoor IP65
Max. ambient temperature	105°F (40°C)
Min. distance to flammable surface	3.3ft (1m)
Min. distance to illuminated surface	1ft (0.3m)

Electrical

Voltage	Auto Ranging 100 - 265vAC, 50-60Hz
Rated Power	55W
Fuses	Internal
Rating Approval	cULus, CE

Control

Digital Protocol	USITT DMX512 (1990)
Channels	3
Data I/O	3 Pin XLR (Cannon)
Modes	DMX512 or Stand-Alone

Optics

Light Source	36 x 1 watt LEDs at 350ma
Output RGB (lumens/watt)	12 x 44Lm/W Red, 12 x 70Lm/W Green, 12 x 15Lm/W Blue
Output W/A (lumens/watt)	24 x 110Lm/W White 6000k, 12 x 50Lm/W Amber
Output UV (lumens/watt)	36 x 0.5Lm/W 380nm UV
Beam Angle	Lenses at 15°

Rigging

Orientation	Any
Mounting Points	Dual mounting 6mm holes at base of fixture

Unpacking

Immediately upon receipt, carefully unpack and inspect the fixture to verify that all parts are present and have been received in good condition. If any parts appear damaged from shipping or the shipping carton shows signs of mishandling, notify the shipper immediately. Retain carton and all packing material for inspection. In the event that the merchandise is to be returned, the original carton and packing must be used. The customer will be billed for a new carton and packing if merchandise is received without the original carton and packing.

Claims

Physical damage must be reported to the Freight Carrier or Shipping Company upon receipt of merchandise. Damage incurred in shipping is the responsibility of the Freight Carrier or Shipping Company. It is the customer's obligation in the event that merchandise is received damaged, to notify the Freight Carrier or Shipping Company immediately. All other claims not related to damage incurred during shipping must be made to the Dealer or Distributor within 7 days of receiving merchandise.

Returns

Returned merchandise must be in the original packing with a Return Merchandise Authorization number (RMA) clearly listed on the shipping label. Items sent by Freight Collect or without a RMA number will be refused. Call your sales person and request a RMA prior to shipping. Be prepared to provide the model number, serial number and description of the nature of the return. Shipping damage resulting from inadequate packaging is the customer's responsibility. Customer will be charged additional shipping charges to return products received in non original packing and or cartons.

Purpose of Manual

The purpose of this manual is to explain the necessary steps for using this fixture properly and to assure peak performance of said product functions. It is intended for use as a reference by a fully qualified electrician, technician and lighting professional. This manual should never be considered a substitute for any provision of a regulation, state and/or local code. The responsibility of complying with all state and local laws, ordinances, and regulations in regards to installation, maintenance, and operation of this product lies with the buyer and handler of the product. The instructions and precautions set forth in this manual are not necessarily inclusive of or relevant to all applications. Please read the entire manual to fully understand and safely use this product.

Power



Do not apply power to the fixture until power source is verified. Do not attempt to use this fixture if it appears damaged. For protection against electric shock, fixture must be connected to suitable earth ground. Make sure fixture is disconnected from power mains before any service.

This fixture automatically adjusts to mains voltage and frequency 100-265vAC 50/60Hz. The listed power rating is its average wattage under normal conditions. All fixtures must be powered directly from a switched circuit. This fixture cannot be run on a rheostat or dimmer circuit even if

used solely for a 0% to 100% switching. Before applying power to a fixture, check that the fixture's input voltage matches the power source voltage. Consult a qualified electrician if there are any concerns about proper connection to power.

Mounting

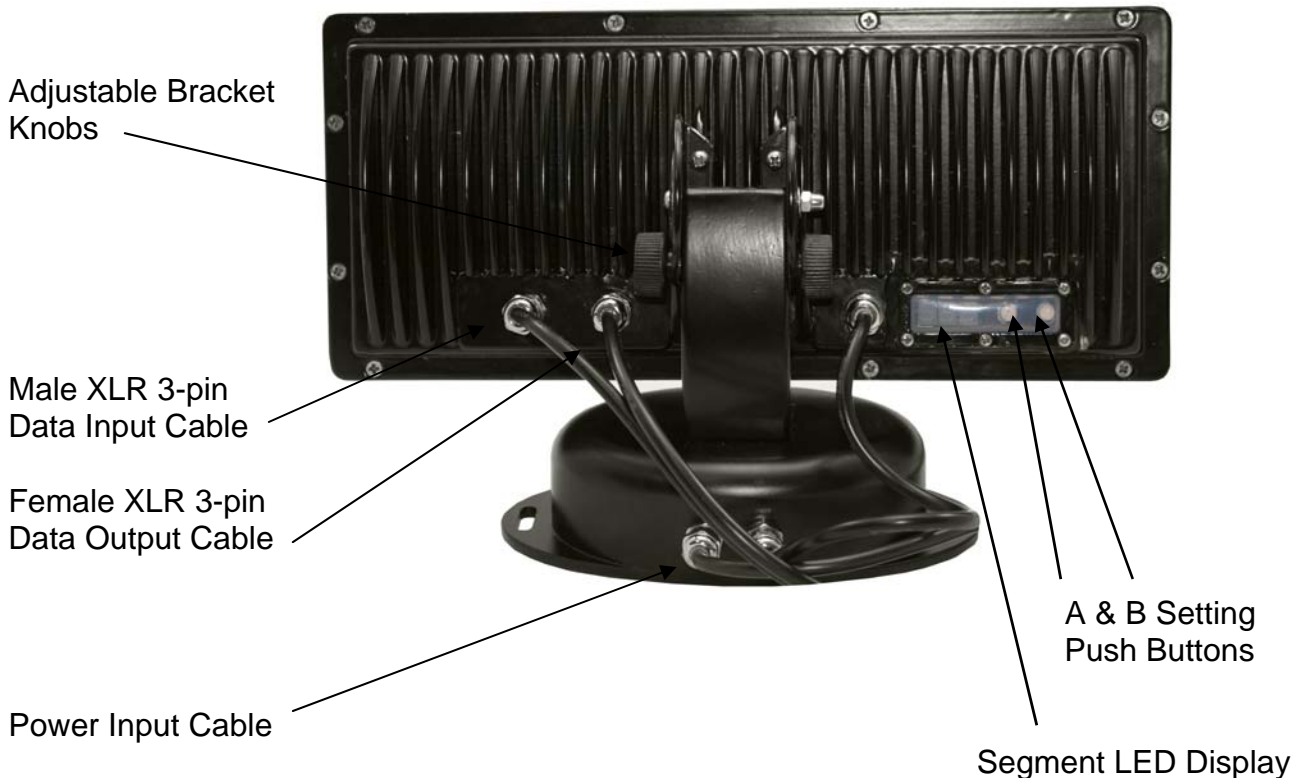
Always consult a qualified professional when rigging. Consider access for routine maintenance when selecting a mounting position. This fixture may be mounted in any position provided there is adequate room for movement and ventilation. Mount the fixture securely using the two mounting holes provided on both sides of the base. This fixture features an adjustable base which allows the panel to be tilted at different desired angles. Always keep cords out of the way, thus preventing any trip hazards. Secure all cables properly. Do not mount where the fixture will be exposed to heavy water fall, high humidity, extreme temperature changes or restricted ventilation. Do not obstruct any of the heat sink vents.

Optional Mounting Bracket



There is an optional mounting omega bracket available that allows the use of a standard truss clamp to be mounted to this fixture. This mounting bracket must be purchased separately if needed. It provides a 1/2" sized clamp mounting hole.
Order code: CLAMP-OMEGA3

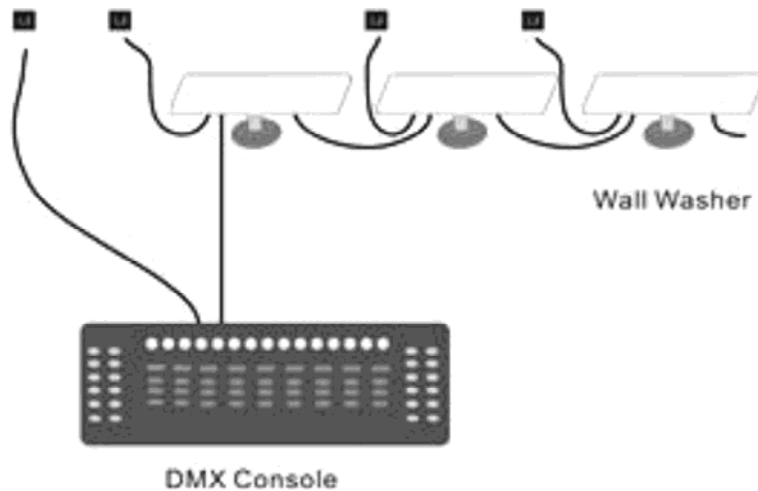
Basic Reference



Basic Setup Wiring Diagrams

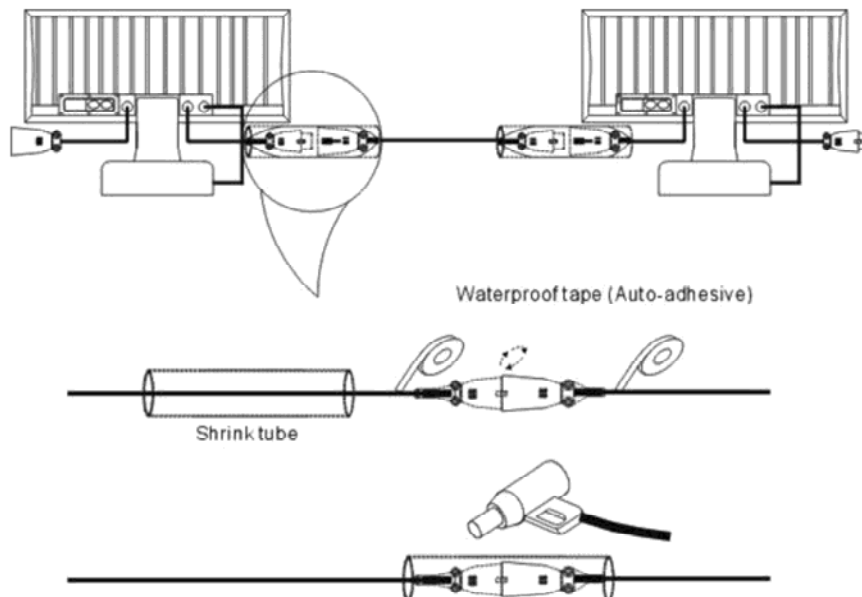
There are two basic ways to use the fixture. One is in standalone, which does not require the use of any data lines to be connected nor any controller, each fixture would operate independently based solely on the menu setting. The second method, is to use the units in Master/Slave “self control” standalone or with DMX control. The second method requires the fixtures to be wired together via the DMX DATA in and out cables. This allows the units to receive data either from the master unit or the DMX controller. Data wiring is explained in more detail in the DMX Data Connection section of this manual.

Example Block Diagram



If the units are going to be used outdoors, it will be required to insulate the existing connectors by using a sealer like heat shrink around the XLR connectors. An alternative is to change the XLR connectors to a Heavy Duty IP rated Neutrik XLR connector.






Example of Weatherproofing Connectors



Operation Modes (LED Segment Display)

The following refers to the different modes that are available on this fixture via the LED Segment Control Panel display. All functions are selectable from the display menu located at the back of the fixture using the two push buttons, A and B. "A" is on the left, "B" is on the right.

Description of Display and Button Functions

Button	Control Mode	Function	Example
	DMX-Control	Display the DMX address selected (valid DMX address from 001~512)	
	Self-Control	Display the color changing mode and speed selected (P=self-control, X=mode, Y=speed)	
	DMX-Control	Select a parameter to set	-
	Self-Control	Select mode/speed to set	-
	DMX-Control	Set corresponding parameter	-
	Self-Control	Set corresponding mode/speed	-

Display Panel Navigation

Use the control panel located on the rear of the fixture to access its settings. Press button "A" until the desired digit to modify is flashing. Press button "B" to modify the flashing digit. To exit and save new settings, wait 10 seconds. The three digit display is the DMX512 Start Address and the P(x,y) display is the selected internal program.

Setting the Start Address for DMX512 Control

- 1) When a DMX signal is present the fixture will respond to three channels of DMX beginning with the selected Start Address. If no signal is present the unit will run the selected internal program.
- 2) Press button "A" to select a digit to edit, current selection will blink.
- 3) Press button "B" to change the value of the digit.
- 4) Valid DMX address are from 1 to 510. Refer below to the DMX 512 Control section for a more detailed explanation about selecting proper DMX start addresses.
- 5) To exit this mode, simply wait 10 seconds without pressing any buttons. The display will stop flashing the new settings will be saved.

Setting P(x,y) Standalone Program

- 1) When there is no DMX signal present the fixture will run the selected Standalone Program.
- 2) Pressing the “A” button 4 times advances to the P(x,y) Standalone Program display. P(x,y) signifies: Program x, Option y. Reference the P(x,y) chart for details.
- 3) Press button “B” to edit the flashing digit, either Program Number x or Program Option y.
- 4) To exit selected mode, simply wait 10 seconds without pressing any buttons. The display will stop flashing and the new settings will be saved.

Setting Master/Slave

- 1) Master/Slave can only be used when no DMX signal is connected to the fixtures. Choose one unit to be the Master and set the DMX Start Address to 001.
- 2) Set all the other units to be Slaves, by setting them to any other DMX address, other than 001.
- 3) The Slave units will follow the Standalone Program selected on the Master unit.

P(x,y) Standalone Program Chart (RGB models only)

X (Program)	Y (Option)
P0 - Black out	Brightness level of 0, no output
P1 - Static Red	Brightness – lowest 1 to brightest at 9
P2 - Static Green	Brightness – lowest 1 to brightest at 9
P3 - Static Yellow	Brightness – lowest 1 to brightest at 9
P4 - Static Blue	Brightness – lowest 1 to brightest at 9
P5 - Static Pink	Brightness – lowest 1 to brightest at 9
P6 - Static Cyan	Brightness – lowest 1 to brightest at 9
P7 - Static White	Brightness – lowest 1 to brightest at 9
P8 - Multi-Color Chasing	Speed – from fastest 1 to slowest at 9
P9 - Multi-Color Fading	Speed – from fastest 1 to slowest at 9
PA - Multi-Color Flashing	Speed – from fastest 1 to slowest at 9
PB - Multi-Color Flashing	Speed – from fastest 1 to slowest at 9
PC - Auto-Run	Speed – from fastest 1 to slowest at 9

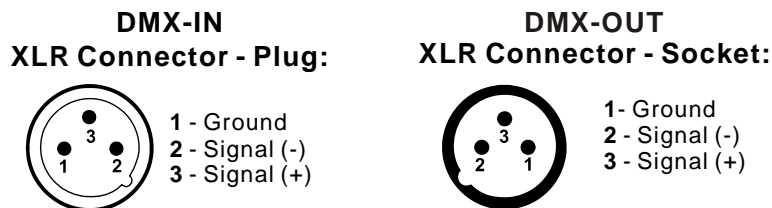
Note: The standalone programs are mainly for the RGB models. On the White/Amber and UV models, these settings just appear as different output levels since all the leds are UV only or White/Amber. It may still be useful for the black out, chasing and fading effects.

DMX-512 Control

Fixtures require a "Start Address" from 1 to 512, setting the first DMX channel containing data for the fixture (see DMX Background). Before addressing fixtures, consult the manual of the system's DMX controller to select a desirable addressing scheme. Valid Start Addresses range from 1 to 512. Fixtures requiring more than one channel for control will read subsequent channels up to the total number of channels required. Since this fixture requires a maximum of 3 channels of DMX, if set to a Start Address of 4 it would use data from channels: 4, 5 and 6. Choose a Start Address so the channels used do not overlap with other fixtures. In some cases, it may be desirable to set two or more same type fixtures to the same Start Address. In this case, the fixtures will be slaved together and respond to the same data. Because all fixtures see the same data, fixtures may be set to any address without concern for the order they are connected by the DMX cables.

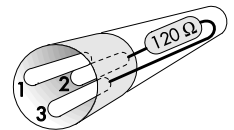
DMX Data Connection

This fixture uses 3 pin XLR type connectors and shielded twisted pair cable approved for EIA-422/EIA485 use. Fixtures are connected in Daisy Chain topography: Connection is made from the controller to the DMX-IN of the first light, then from the DMX-OUT to the DMX-IN of the next light and so on. Only one data source can be on a chain and no branching is allowed. The physical order in which the fixtures are connected is not important, use the most convenient.



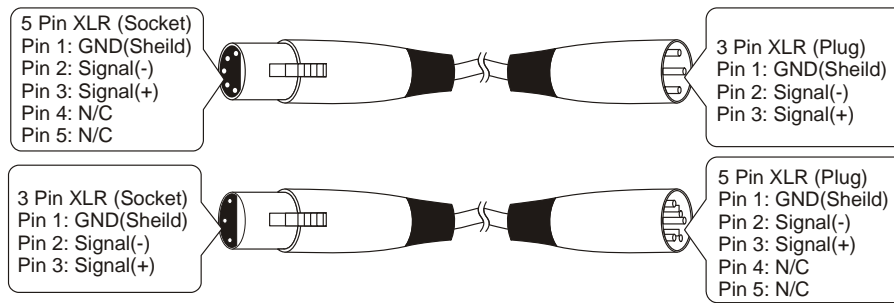
Data Terminator

A Data Terminator can be connected to the DMX-OUT of the last fixture to reduce the effects of signal noise; it is not required for all installations. To make a Terminator, connect a 120-ohm $\frac{1}{4}$ watt resistor across pin 2, Data Negative (S-) and pin 3, Data positive (S+). A qualified technician can determine if a Data Terminator is needed.



Adapter 5-to-3 pin

Systems using 5 pin DMX interfaces can be accommodated by purchasing 3-to-5 pin adapters or building adapter cables. Numbers designating each pin can be found on connectors. Converting between the two XLR types is done in a pin-to-pin fashion. Connect the shields to pin 1, then connect pin 2 to pin 2 and pin 3 to pin 3, regardless of either connector's gender or pin count. No connection is made to Pins 4 & 5.



DMX Start Address

More than one fixture may have the same start address, but they will behave the same. Giving a unique start address that does not overlap with any other units allows you to individually control that fixture's features fully. Never allow channels to overlap. This fixture features a 3 channel DMX mode. This will determine the spacing of channels you will need to avoid overlapping of channels when selecting your start addresses.

Example Select Start Addresses for 4 fixtures each requiring 3 channels of DMX.

For this example, start with the first unit set to the first possible Start Address = **1**. This fixture occupies DMX channels 1 thru 3. The next DMX channel available for a Start Address is found by adding the previous fixture's Start Address to its channel requirement: $1+3=4$. To maximize channel usage, we will leave no empty channels between fixtures so the second Start Address is set to DMX channel 4 and that fixture occupies channels 4 thru 6. The third fixture will be addressed $4+3=7$ and occupy channels 7 thru 9. The last fixture is addressed $7+3=10$ and will occupy channels 10 thru 12. Thus, 4 fixtures using 3 channels each have Start Addresses of **1, 4, 7** and **10** and the next free channel in the system is $10+3=13$.

DMX Channel Assignments

This fixture features a 3 channel DMX mode only. Using the 3 channels allows full control of this fixtures color mixing or blending capabilities. The different channel assignments are shown below.

3 Channel Mode

RGB models:

Channel	Function
1	Red (0-255)
2	Green (0-255)
3	Blue (0-255)

White/Amber models:

Channel	Function
1	White set 1 (0-255)
2	White set 2 (0-255)
3	Amber set 3 (0-255)

UV model:

Channel	Function
1	UV set 1 (0-255)
2	UV set 2 (0-255)
3	UV set 3 (0-255)

Channel Values and Functions – 3 Channel Mode

RGB Models:

CH 1 : Red

Sets relative intensity of Red.

CH 1 – Red	
DMX Value	Function
0	No Output
1-255	Intensity - Off to Full On

CH 2 : Green

Sets relative intensity of Green.

CH 2 – Green	
DMX Value	Function
0	No Output
1-255	Intensity - Off to Full On

CH 3 : Blue

Sets relative intensity of Blue.

CH 3 – Blue	
DMX Value	Function
0	No Output
1-255	Intensity - Off to Full On

White/Amber LED Models:

CH 1 : White

Sets relative intensity of White LEDs in set 1.

CH 1 – White	
DMX Value	Function
0	No Output
1-255	Intensity - Off to Full On

CH 2 : White

Sets relative intensity of White LEDs in set 2.

CH 2 – White	
DMX Value	Function
0	No Output
1-255	Intensity - Off to Full On

CH 3 : Amber

Sets relative intensity of Amber LEDs in set 3.

CH 3 – Amber	
DMX Value	Function
0	No Output
1-255	Intensity - Off to Full On

UV Models:

CH 1 : UV

Sets relative intensity of UV LEDs in set 1.

CH 1 – UV	
DMX Value	Function
0	No Output
1-255	Intensity - Off to Full On

CH 2 : UV

Sets relative intensity of UV LEDs in set 2.

CH 2 – UV	
DMX Value	Function
0	No Output
1-255	Intensity - Off to Full On

CH 3 : UV

Sets relative intensity of UV LEDs in set 3.

CH 3 – UV	
DMX Value	Function
0	No Output
1-255	Intensity - Off to Full On

Maintenance



Make sure fixture is cool and disconnected from power mains before any service.

Weekly operating hours and environmental conditions will establish how often the fixtures need cleaning. Fixtures should be cleaned and inspected at least once a month to maintain optimum performance. Accumulation of dust and fog residue increases heat build up, can lead to malfunctions, overheating and reduction in maximum light output, reduced fixture life and over all performance. Before conducting any maintenance, disconnect fixture from power mains.

- 1) Disconnect fixture from power mains.
- 2) Use a vacuum with a soft brush to remove dust collected on external vents and internal components. If using an air compressor, use low pressures and extreme care to prevent damaging any internal parts or effects.
- 4) Clean all optical elements when the fixture is cold. Use a soft lint free cotton cloth or tissue and cleaner safe for plastics.
- 5) Inspect clamps and safety cables to ensure fixture is secure and safe.

Accessory Items (sold separately)

Order Code	Description
CLAMP-OMEGA3	Optional Clamp mounting bracket
CLAMP-CBHALF	Half Cheese-borough Coupler 300kg Max Load
CLAMP-MEGA/B	Mega 2" Pipe Heavy Duty Clamp – ½" bolt - Black
CLAMP-MEGA/P	Mega 2" Pipe Heavy Duty Clamp – ½" bolt - Polished
CA-XLR3/5	Pre-made 5' 3-pin XLR Cable
CA-XLR3/10	Pre-made 10' 3-pin XLR Cable
CA-XLR3/25	Pre-made 25' 3-pin XLR Cable
CA-XLR3/50	Pre-made 50' 3-pin XLR Cable
CO-XLR3FNGO-N	NC3FXX-HD-D XLR Cable End XX-HD Series 3 pin Female - nickel/gold with rubber jacket. Outdoor IP67
CO-XLR3MNGO-N	NC3MXX-HD-D XLR Cable End XX-HD Series 3 pin Male - nickel/gold with rubber jacket. Outdoor IP67
CO-XLR5FSSG-N	XLR Connector 5-pin Female Outdoor Rated –Stainless Steel
CO-XLR5MSSG-N	XLR Connector 5-pin Male Outdoor Rated –Stainless Steel
CO-XLRTERM3	XLR 3 Pin Data Terminator
CO-XLR3MTO5F	XLR 3 Pin Male to 5 Pin Female Adapter
CO-XLR5MTO3F	XLR 5 Pin Male to 3 Pin Female Adapter

Troubleshooting

Symptom	Possible Cause / Solution
No Power	Check for power on mains
	Check main fuse and fuse holder
Erratic / No response to DMX	Check data cables: connection and proper wiring
	Check Display settings
	Check Start Address
Incorrectly responds to DMX (Diagnostic technique for DMX issues: Set suspect fixture's Start Address the same as a correctly functioning fixture. If both units then function correctly, issue is programming)	Check Start Address
	Check for overlapping addresses
	Check Menu settings
	Check Data cables (faults and proper wiring)

DMX-512 Background

DMX-512 is a digital data transmission standard developed by the United States Institute for Theater Technology (USITT). It is designed to enable control of lighting equipment. DMX deals solely with the formatting of data for transmission and does not dictate how the data is created or used.

Under DMX, signals are transmitted in much the same way a computer modem transmits data. The Data, divided into channels, is "Framed" using a start bit, high (1), eight data bits and finally, two stop bits, both high (1). DMX uses no parity to check the integrity of the signal. Instead, DMX relies on the ultra low probability of an error occurring in the same place when the data is resent. The rate at which data is sent is fixed at 250k bps, almost four and a half times faster than a 56k modem. This speed allows all data on a DMX chain to be updated more than 44 times every second.

The transmitted data follows a specific format. DMX allows for 512 channels each with eight data bits, giving each channel the possibility of 256 values. When a data "Packet" is sent, all channels are transmitted one after another. Even if the data on a specific channel has not been changed, it must be sent. In a packet, a "start code" of all zeros is sent before the data to identify the signal as a Standard DMX transmission. This start code is transparent to the user and is handled by the controller.

The physical signals are transmitted using a twisted pair of wires and a common shield, a configuration called Balanced. The controller and all receiving equipment are connected using a "Daisy Chain" connection. The signal is jumped from the controller to a piece of DMX equipment. From there, the signal is jumped to the next piece of equipment and so on until the last piece of equipment is connected. No branches are allowed and the signal does not come back to the controller. The final piece of equipment will have only one cable connection. As a result, all equipment connected to the chain will see exactly the same signal whether it is first or last. When connecting equipment, no particular attention needs to be paid to the order in which the equipment is connected. Depending on the conditions and equipment, a line terminator may be required. If there is any question, in most circumstances the addition of a terminator will not degrade the signal. To make a terminator, attach a 120-ohm resistor between the Signal Data Negative and Signal Data Positive pins of a connector in the last piece of equipment in the chain.

The DMX Standard uses 5 pin XLR connectors. However, it is common to see fixtures with 3 pin XLR connectors as these types of balanced or "Lo-Z" cables are common in the audio industry. In either case, pin numbers are the same and carry the same signals.

Pin	Connection
1	Common (Shield)
2	Data Negative (S- or Cold)
3	Data Positive (S+ or Hot)
4	n/c (not used)
5	n/c (not used)



10900 Palmbay Drive • Orlando, FL 32824 U.S.A.
www.techni-lux.com