

Ultra**LED** SERIES



Information specifically for:

DL-ULEDFLEX/TC

This manual contains important information.
Please read before operating fixture.



10900 Palmbay Drive • Orlando, FL 32824 U.S.A.

Voice: 407-857-8770 Fax: 407-857-8771

www.techni-lux.com

Introduction

LED Ribbon Flex is an innovative product which incorporates a flexible circuit board and cutting edge RGB 3-in-1 SMD LED. The flexible PCB can be bent to a maximum radius of 2 cm. LED Ribbon Flex is dimmable and color controllable. LED Ribbon Flex is designed for long linear applications, complex signage, cove lighting and structures, convex, concave and other curved surfaces and objects. It is very low profile and fits in a very small area.

What is included

The following items are included in the box:

- 1pcs DL-ULEDFLEX/TC
- 1pc User Manual
- 20pcs Mounting Clip and 10 End Caps

Safety Instruction

- This product is intended for indoor use only!
- Always turn off, unplug power and allow fixture to cool before servicing.
- Please keep this User Guide for future consultation.
- Always make sure that you are connecting to the proper voltage.
- To prevent risk of fire or shock, do not expose fixture to rain or moisture.
- Always disconnect from power before servicing or replacing fuse.
- Avoid looking directly into the LED light beam at a close distance.

Product Photo



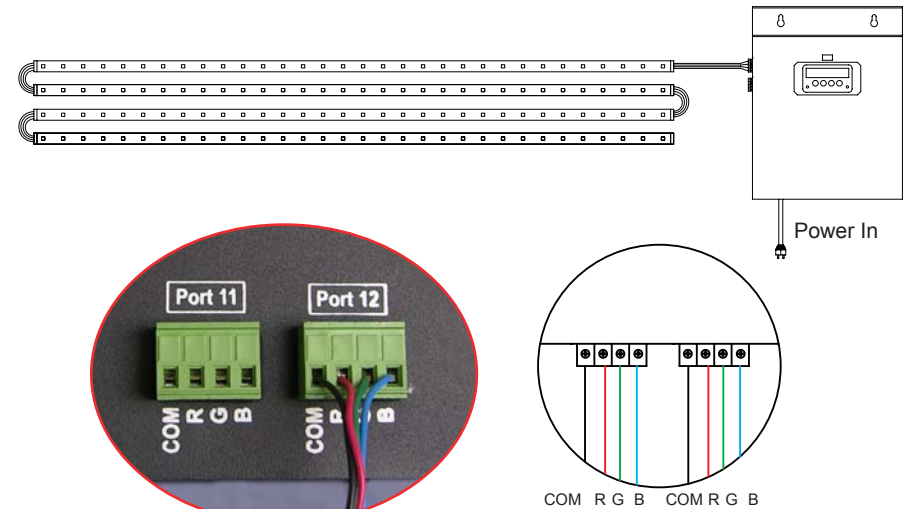
Installation

With mounting clips, the light weight and flexible strip light can be installed on any surface or under cabinet.



Fixture Linking

DL-ULEDFLEX/TC receives power and data from DL-ULEDDRIVER4 or DL-ULEDDRIVER12R.



Lock the black wire in the COM connector and red, green, blue in R, G, B of Phoenix connector respectively.

IMPORTANT!

Total wattage of lighting fixtures should not exceed the maximum load of the Driver.

Specifications

- Flexible ribbon with a minimum bend radius of 2cm
- SMD 0.2w LED RGB technology (16.7 million colors)
- Tricolor LEDs 36 per meter
- Beam angle: 120 degrees
- 256 levels of dimming from 0-100%
- Controlled and powered using DL-ULEDDRIVER4 or DL-ULEDDRIVER12
- LED Spacing: 27.8mm apart
- Cutting length: every .3 meters, 12 LEDs
- Rating: IP65
- Power: 48vDC
- Roll Wattage: 36 watts
- Roll Size: (L) 5m x (W) 12mm x (H) 3mm
- Weight: .4Kgs/.8Lbs
- Accessories Included: 20 mounting clips and 10 end caps