

# COMMERCIAL GERMICIDAL UVC LIGHT

## PRODUCT FEATURES

Eliminate up to 99% of harmful bacteria, viruses and other microbes on surfaces and in the air

First Class US leading manufacturer of UVC tubes

12,000hrs rated average tube life

UL listed NICHE UVC Rapid-start ballast

33ft(10m) lengthy cord with standard 3-pole plug



Hands-free operation with a sturdy hook on the light head

Half-shield Aluminum reflector contributing safety and productivity

Mount to any metal surface with magnet in back side

Full 360 degree UVC illumination protected by a lens guard

No-contact disinfection with non-slip handle



## ORDER NUMBER

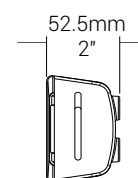
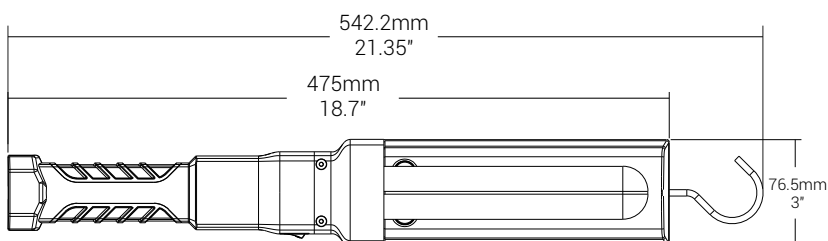
MODEL NUMBER	WATT	INPUT VOLTAGE	RATED LIFE TIME	TUBE TYPE	TUBE BASE	TUBE QTY	BALLAST QTY
GF-VLH118	18	120V AC	12,000hrs	PL-L	2G11	1 pcs	1 pc

## APPLICATION

Designed to disinfect a wide range of surfaces such as kitchens, workstations, equipment, tables, keypads, computers...



## LINE DRAWING



Distributor:



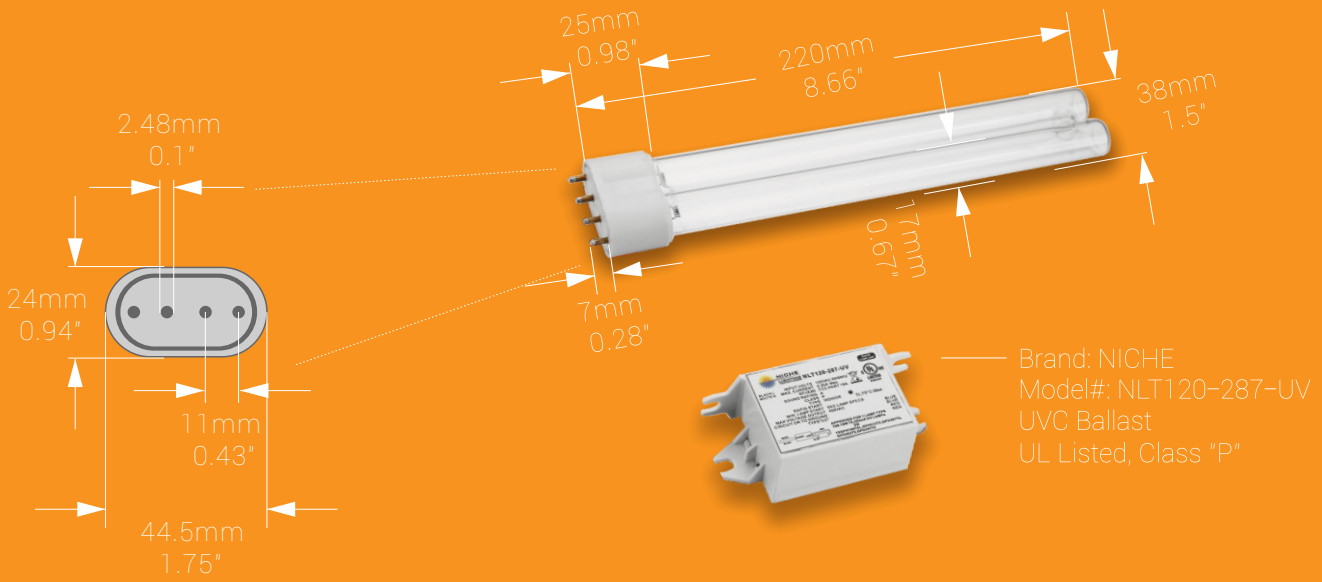
Phone: 407-857-8770

Fax: 407-857-8771

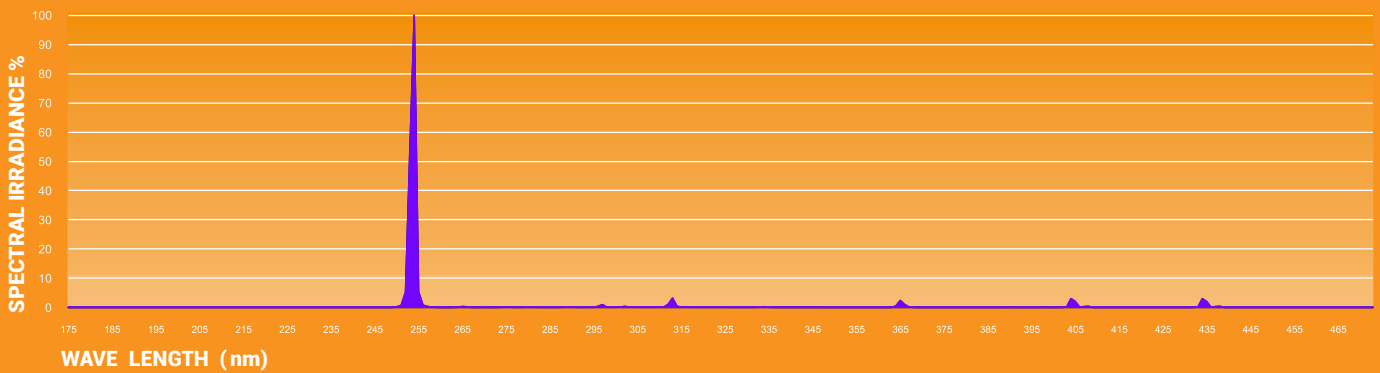
Email: [sales@techni-lux.com](mailto:sales@techni-lux.com)

[www.techni-lux.com](http://www.techni-lux.com)

# COMMERCIAL GERMICIDAL UVC LIGHT



## RELATIVE SPECTRAL ENERGY DISTRIBUTION



## MAINTENANCE CURVE

