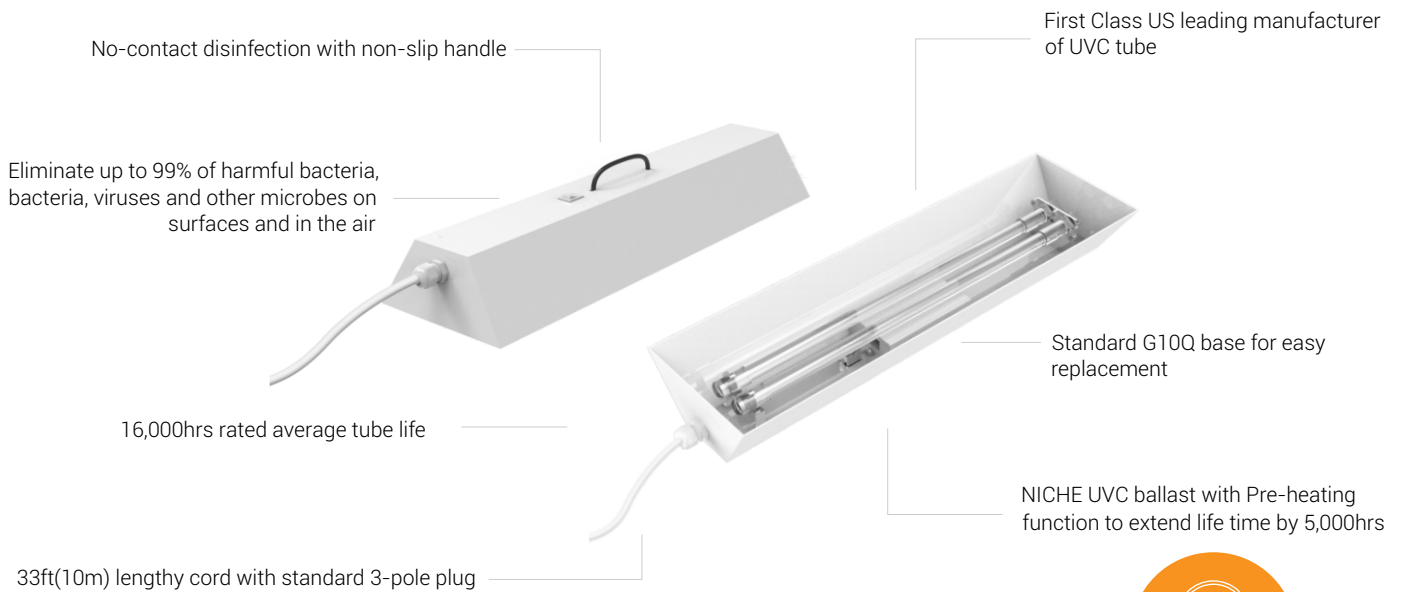


COMMERCIAL GERMICIDAL UVC LIGHT

PRODUCT FEATURES



ORDER NUMBER

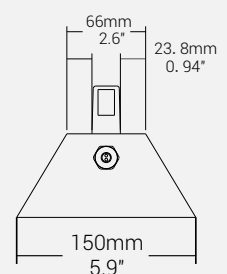
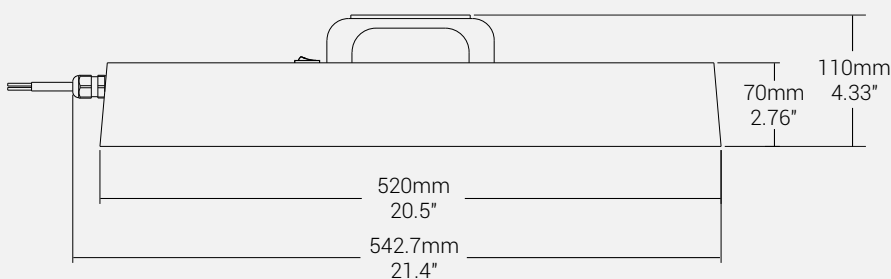
MODEL NUMBER	WATT	INPUT VOLTAGE	RATED LIFE TIME	TUBE TYPE	TUBE BASE	TUBE QTY	BALLAST QTY
GF-VLH221	42	120-277V AC	16,000hrs	T5	G10Q	2 pcs	1 pc

APPLICATION

Designed to disinfect a wide range of surfaces such as kitchens, workstations, equipment, tables, keypads, computers...



LINE DRAWING



Distributor:



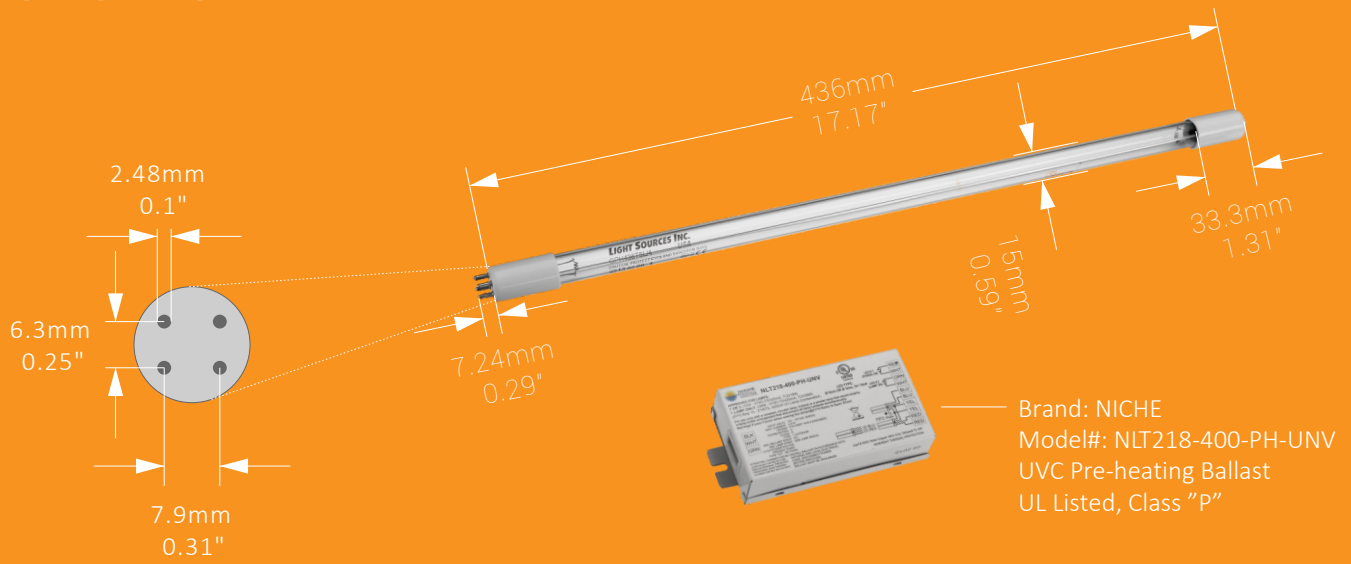
Phone: 407-857-8770

Fax: 407-857-8771

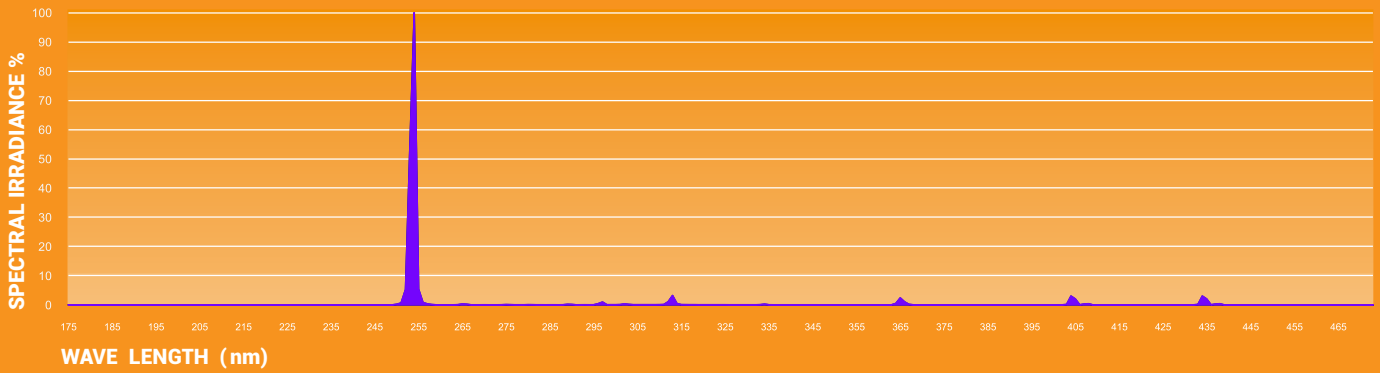
Email: sales@techni-lux.com

www.techni-lux.com

COMMERCIAL GERMICIDAL UVC LIGHT



RELATIVE SPECTRAL ENERGY DISTRIBUTION



MAINTENANCE CURVE

