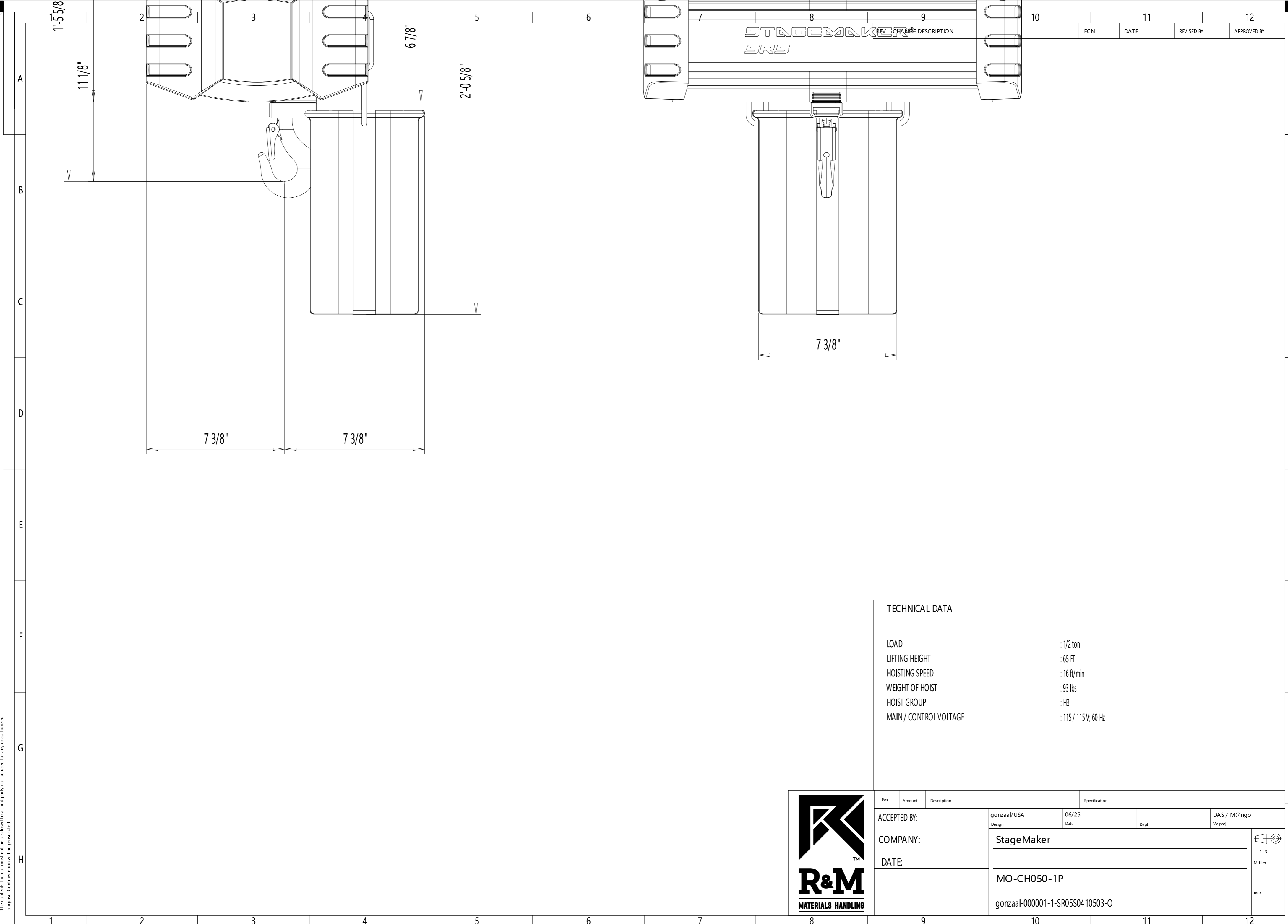


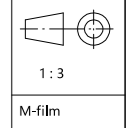
This document is the absolute property of RBM. This document must not be copied  
 without the written permission of RBM.  
 The scope of the information disclosed to a third party nor be used for any unauthorized  
 purpose. Concomitantly will be prosecuted.



Pos		Amount	Description	Specification
ACCEPTED BY:		gonzaal/USA	06/25	DAS / M@ngo
COMPANY:		Design	Date	Dept Vx proj
DATE:		StageMaker		1:3 M-film
		MO-CH050-1P		Issue
		gonzaal-000001-1-SR05S0410503-O		

**TECHNICAL DATA**

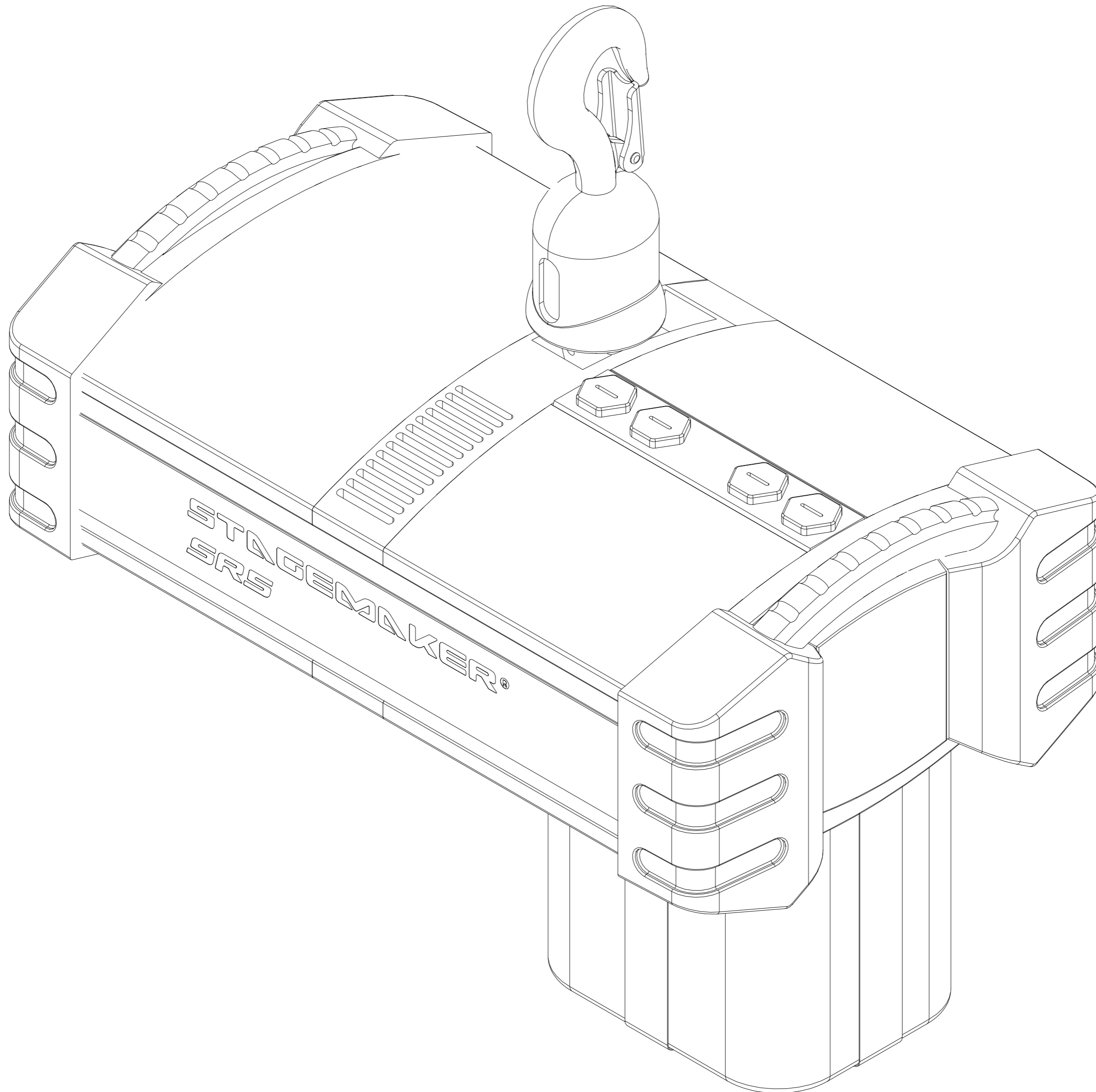
LOAD : 1/2 ton  
 LIFTING HEIGHT : 65 FT  
 HOISTING SPEED : 16 ft/min  
 WEIGHT OF HOIST : 93 lbs  
 HOIST GROUP : H3  
 MAIN / CONTROL VOLTAGE : 115 / 115 V; 60 Hz



Issue

REV	CHANGE DESCRIPTION	ECN	DATE	REVISED BY	APPROVED BY
-----	--------------------	-----	------	------------	-------------

A  
B  
C  
D  
E  
F  
G  
H



STAGEMAKER®  
SRS

This document is the absolute property of R&M. This document must not be copied  
 without the written permission of R&M.  
 The contents thereof must not be disclosed to a third party nor be used for any unauthorized  
 purpose. Concomitant will be prosecuted.



Pos	Amount	Description	Specification		
ACCEPTED BY:		gonzaal/USA	06/25		DAS / M@ngo
COMPANY:		Design	Date	Dept	Vx proj
DATE:		StageMaker			
		MO-CH050-1P			
		gonzaal-000001-1-SR05S0410503-O			