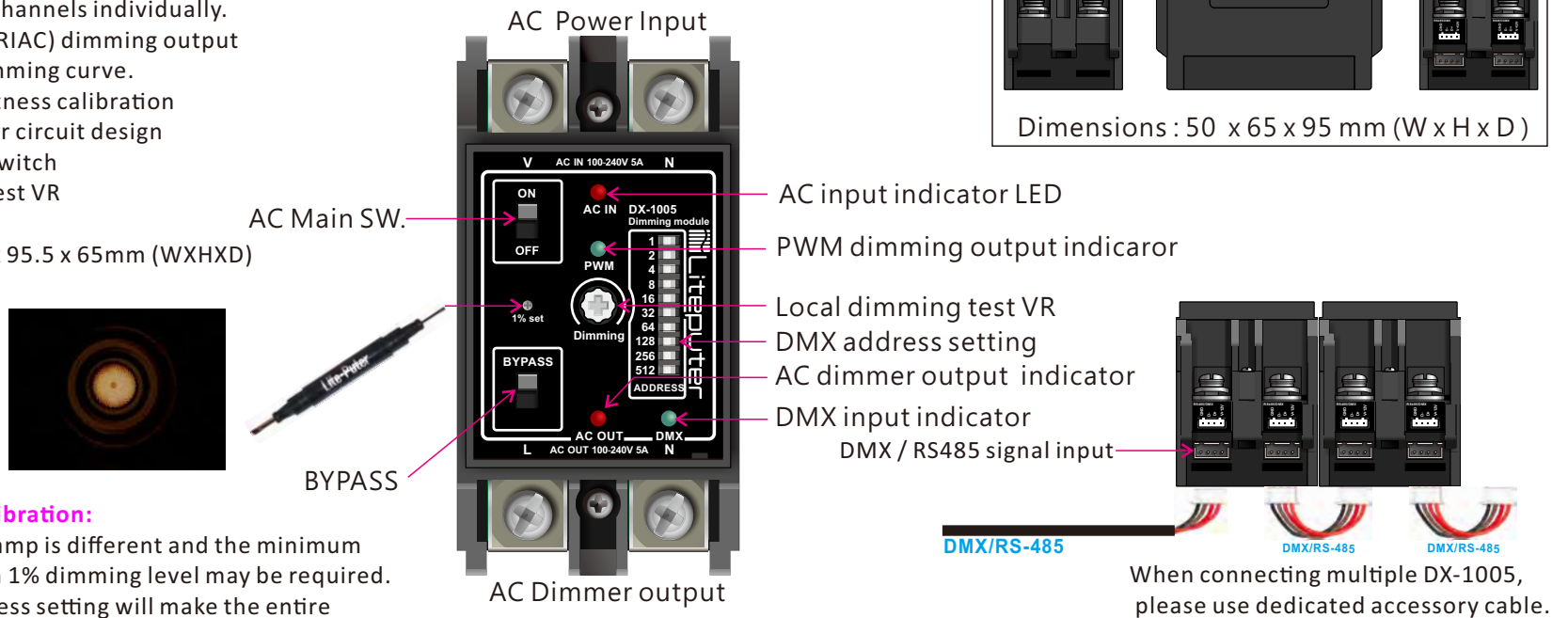
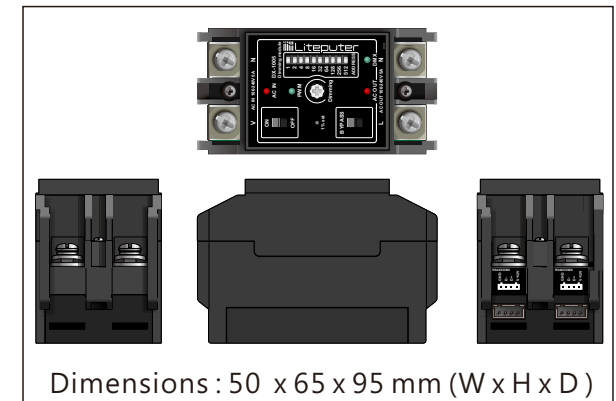


Liteputer DX-1005 LED Dimmer

DMX dimmer for precise dimming solutions
 Importing CPU microprocessor 16384-steps dimming resolutions
 Stable dimming and non-flickering even on only 1% of brightness level!

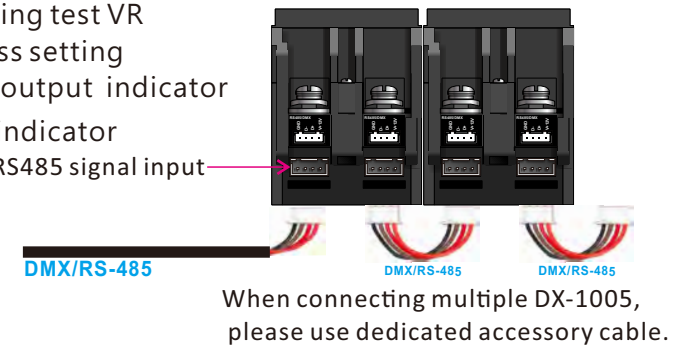
DX-1005 is designed to be the same size as 2-pole NFB, it is suitable for installing in the distribution box. Each DX-1005 has its own power supply system, CPU and individual DMX address. DX-1005 dimmer solves the LED flickering problem completely, with CPU microprocessors as control master, providing up to 16384 step high resolutions with precisely dimming requirement on each step, non-flickering even on only 1% of dimming level.

1. DMX/ RS-485 input
2. Control 1-1024 channels individually.
3. Leading-edge (TRIAC) dimming output
4. 16,384 steps dimming curve.
5. 1% lowest brightness calibration
6. Active anti-flicker circuit design
7. Built-in Bypass switch
8. Local dimming test VR
9. AC 100-240V 5A
10. Dimension: 50. x 95.5 x 65mm (WXHxD)



1% lowest brightness calibration:

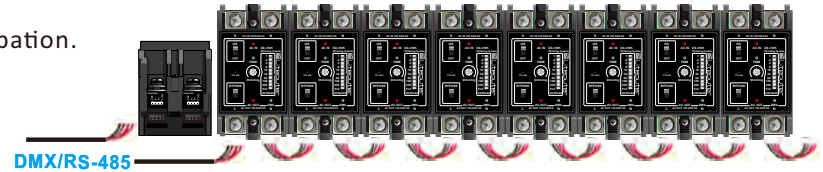
The voltage of each LED lamp is different and the minimum brightness adjustment on 1% dimming level may be required. The minimum 1% brightness setting will make the entire dimming control smoother. Precision parts, please adjust carefully!!



Installation Instructions

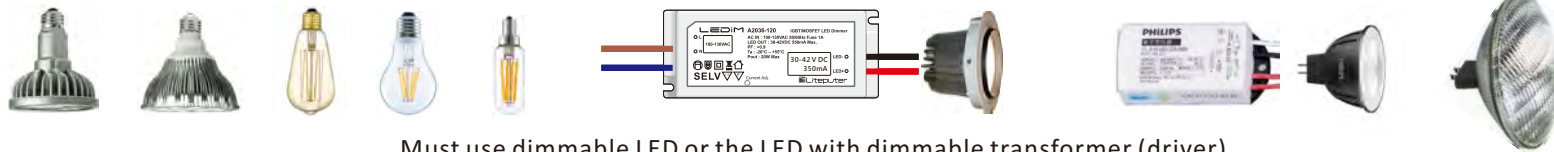
Installation Instructions

1. The distribution box must be installed in a proper place with good ventilation and heat dissipation.
2. The rated current is 5A. Considering the heat dissipation, 3A is recommended!
3. NFB must be installed on AC input of DX-1005.
4. When connecting multiple DX-1005, please use Liteputer's dedicated accessory cable.
5. For dimmable LED or the LED with dimmable transformer (driver) use only.
6. Some LEDs or dimmable transformers have uneven dimming quality, if you have any questions, please contact Liteputer.
7. The series voltage of LEDs is different and the minimum brightness adjustment on 1% dimming level may be required.
(Please adjust with 1.6mm screwdriver and adjust it carefully.)

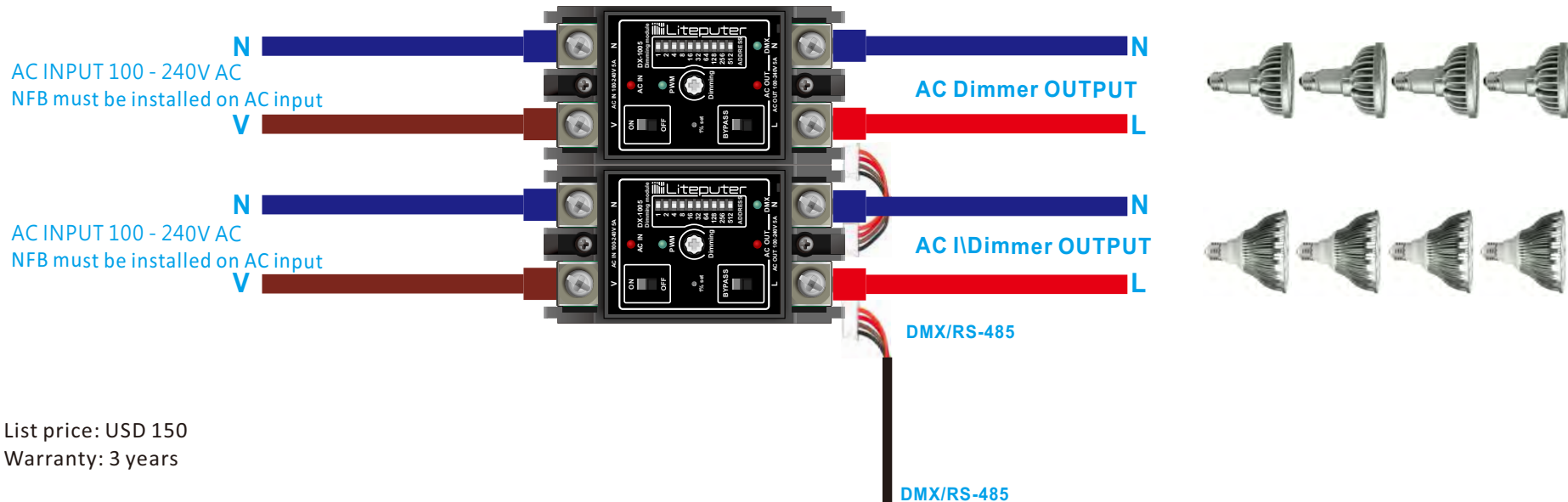


DMX/RS-485

Up to 32 pieces of DX-1005 can be connected.
The last one must be equipped with 220 Ohms terminal resistor.



Must use dimmable LED or the LED with dimmable transformer (driver)



List price: USD 150
Warranty: 3 years