

## Welcome

Thank you for purchasing the Insite 7" touchscreen.

This Quick Start Guide will give you an overview of the proper installation and initial programming of the touchscreen.

For further assistance, please refer to our web site or contact us directly:

**Web:** interactive-online.com

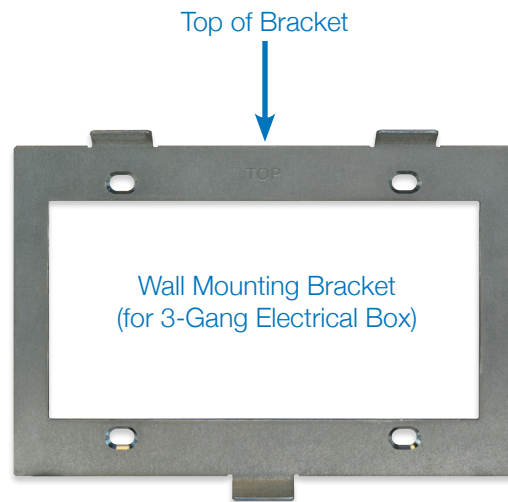
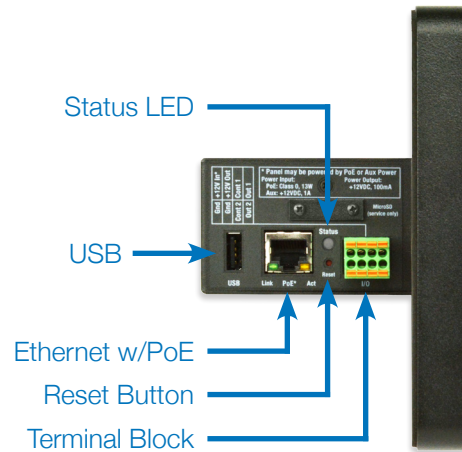
**Email:** support@interactive-online.com

**Phone:** 1-678-455-9019  
(Press 2 for Support)

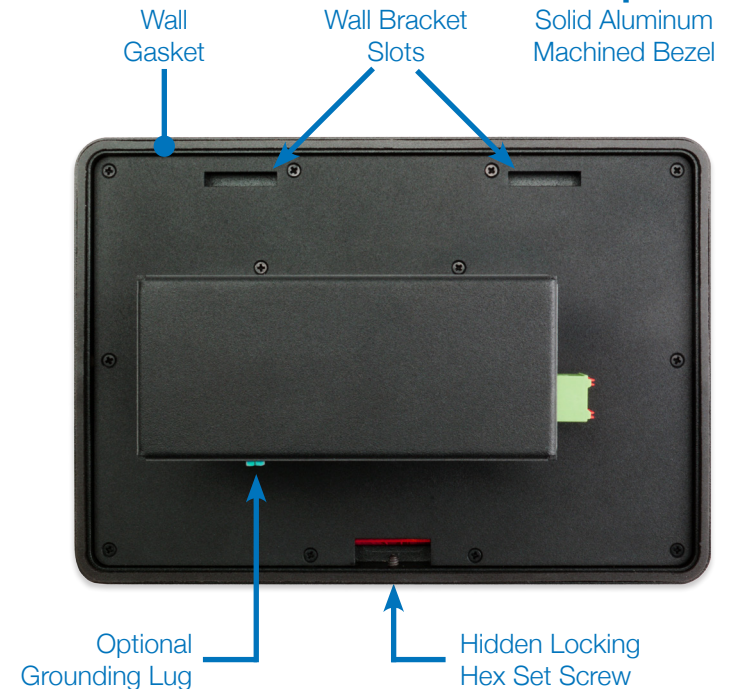
## What's in the box

- Insite 7" Touchscreen
- Wall Mounting Bracket
- Mounting Bracket Screws (4x)
- Set Screw
- Hex Wrench
- Pluggable Terminal Block

## Hardware Overview



5-Point Capacitive Multitouch Surface  
Ultra High-Resolution True Color Display



## Step 1: Connect to Network and Power

If using Power-over-Ethernet, simply attach the powered network cable.

If using an external DC power supply, attach a 12VDC 12W source to the terminal block. Also attach the network cable.

The Status LED light will illuminate Green when the touchscreen receives power.



## Step 2: Configuration

When the touchscreen is powered for the first time, the **Panel Setup** screen will appear automatically.

### Network Configuration

By default, the touchscreen will obtain a unique IP address on the network using DHCP.

If DHCP is unavailable or undesired, use the **Network** tab to specify a static IP address.

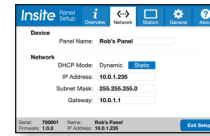
### Station Configuration

The touchscreen requires a connection to a CueServer on the network.

Use the **Station** tab to choose a CueServer and to set the touchscreen's Station Number.

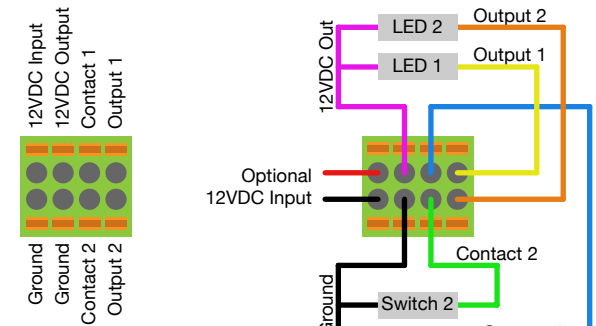
### General Settings

In the General tab, the touchscreen's screen brightness and energy saving settings can be adjusted.

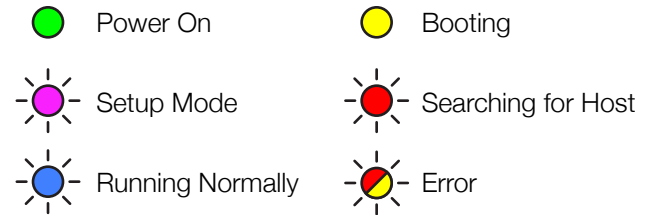


## Terminal Block Wiring

The pluggable terminal block can optionally be used to provide DC power or to connect external accessories to the touchscreen.



## Status LED

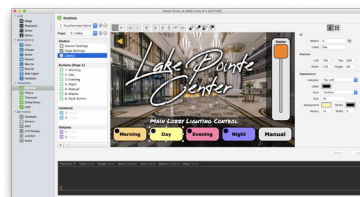


## Step 3: Create Pages in CueServer Studio

When configuration is complete, press **Exit Setup**.

The touchscreen will connect to the chosen CueServer and display the page layouts for the station.

Use **CueServer Studio** to create pages for the touchscreen. (<http://interactive-online.com/cueserver2/downloads>)



## Return to Setup Mode

There are two different ways to return to setup mode:

- Press and hold the **Reset** button for 3 seconds.
- Or, touch and hold the lower-left corner of the screen when powering on, or within 5 minutes after power-on.