

MSD Platinum

MSD Platinum 15 R UNP



The new MSD Platinum 5 R lamps open up new levels of creative freedom in entertainment lighting, with powerful, compact and brilliantly intense light. Their compact, lightweight design provides the freedom to create smaller, lighter luminaires – for use at any location on stage. And their short arc, high color temperature and innovative reflector produce a sparkling, high beam intensity for outstanding color reproduction. They also offer long and reliable lifetime, high efficacy and fast replacement times. It all adds up to an intensely exciting creative experience.

Product data

• General Characteristics

System Description	-
Cap-Base	-
Cap-Base Information	-
Operating Position	any
Main Application	DJ/Club
Life to 50% failures EM	1500 hr

• Light Technical Characteristics

Color Code	2
Color Temperature	8000 K
Chromaticity Coordinate X	299 -
Chromaticity Coordinate Y	303 -
Luminous Flux Lamp EM	11000 (min), 13500 (nom) Lm

• Electrical Characteristics

Lamp Wattage	300 W
Lamp Wattage Technical	300 W
Dimmable	No

• Luminaire Design Requirements

Pinch Temperature	350 (max) C
Bulb Temperature	900 (max) C

• Product Dimensions

Overall Length C	66.4 (max) mm
Diameter D	58.5 (max) mm
Arc Length O	1.3 mm

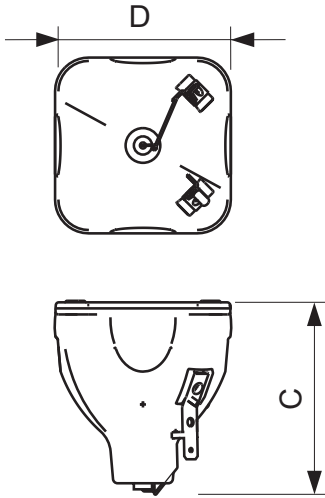
• Product Data

Order code	928191605308
Full product code	928191605308
Full product name	MSD Platinum 15 R UNP
Order product name	MSD Platinum 15 R UNP/24
Pieces per pack	1
Packing configuration	24
Packs per outerbox	24
Bar code on pack - EAN1	8727900943771
Bar code on outerbox - EAN3	8727900943771
Logistic code(s) - 12NC	928191605308
Net weight per piece	0.120 kg

Dimensional drawing

PHILIPS

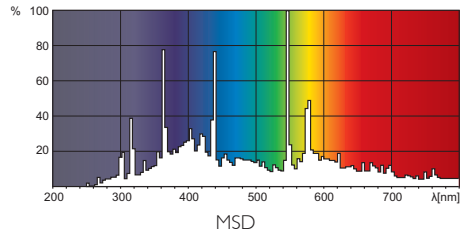
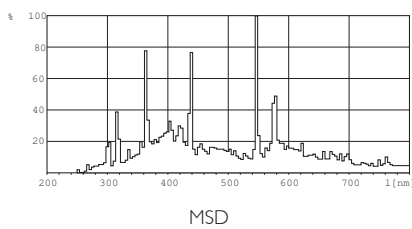
Dimensional drawing



MSD Platinum 15 R 1CT

Product	C (Max)	D (Max)	F (Min)	F (Norm)	F (Max)	L (Min)	L (Norm)	L (Max)	O (Norm)	O (Max)	T (Max)
MSD Platinum 15 R	66.4	58.5	-	-	-	-	-	-	1.3	-	-

Photometric data



© 2013 Koninklijke Philips N.V. (Royal Philips)
All rights reserved.

Specifications are subject to change without notice. Trademarks are the property of Koninklijke Philips N.V. (Royal Philips) or their respective owners.

www.philips.com/lighting

Distributor:



Phone: 407-857-8770

Fax: 407-857-8771

Email: sales@techni-lux.com

2013, May 24
data subject to change