



MSR Gold™ MiniFastFit – lamp replacement in seconds

MSR Gold™ MiniFastFit (Touring/Stage)

Thanks to the specially designed lamp base, the MSR Gold™ MiniFastFit takes just seconds to replace, to help ensure non-stop clubbing entertainment. In addition, the innovative gold plated pins ensure excellent current transfer to prolong lamp and lamp holder lifetimes and thereby reduce lamp replacement costs. Easy handling and small compact fixture designs are allowed by the lamps compact size, while the very short arc provides a high perceived brightness and high beam intensity. Moreover, the latest addition to the range: Philips MSR Gold™ 700/1 FastFit offers a pure, white light (5600K). Especially designed for theater applications.

Benefits

- Lamp replacement in just seconds
- Easy handling, smaller and lighter fixtures
- Reduces early lamp or lamp holder failures. Excellent current transfer
- High perceived brightness
- High beam intensity

Features

- Philips MiniFastFit
- Compact design
- Innovative gold plated pins
- High color temperature
- Very short arc

PHILIPS

Application

- Events
- Shows

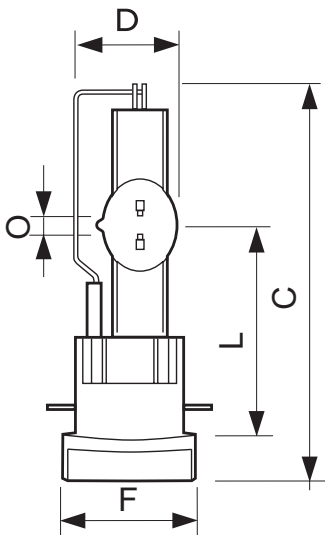
- Touring/Stage

Related products



MSR Gold™ 400, 575/2, 700(1,1/2)
MiniFastFit

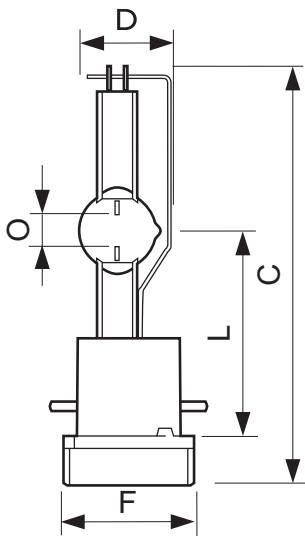
Dimensional drawing



MSR Gold™ 575/2 MiniFastFit 1CT

Product	A (Min)	A (Norm)	A (Max)	C (Max)	D (Max)	D1 (Norm)	F (Min)	F (Norm)	F (Max)	L (Min)	L (Norm)	L (Max)	O (Norm)
MSR GOLD 575/2 MiniFastFit	-	-	-	112	23.2	-	35.3	36	36.5	55	56	57	3.5
MSR GOLD 400 MiniFastFit	-	-	-	111	23.2	-	35.3	36	36.5	55	56	57	3.0
MSR GOLD 700 MiniFastFit	-	-	-	116	23	-	35.3	36	36.5	55	56	57	3.5
MSR GOLD 700/1 MiniFastFit	-	-	-	112	23.2	-	35.3	36	36.5	55	56	57	3.8
MSR GOLD 700/1 MiniFastFit	-	-	-	112	23.2	-	35.3	36	36.5	55	56	57	3.8
MSR GOLD 700/2 MiniFastFit	-	-	-	112	23.2	-	35.3	36	36.5	55	56	57	3.8
MSR GOLD 700/2 MiniFastFit	-	-	-	112	23.2	-	35.3	36	36.5	55	56	57	3.8

Dimensional drawing



MSR Gold™ 1000 MiniFastFit

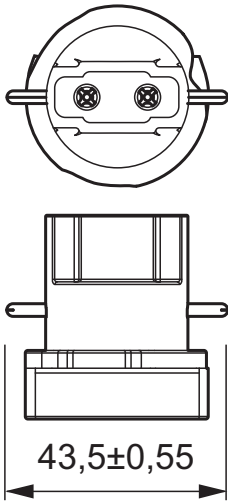
Product	A (Min)	A (Norm)	A (Max)	C (Max)	D (Max)	D1 (Norm)	F (Min)	F (Norm)	F (Max)	L (Min)	L (Norm)	L (Max)	O (Norm)
MSR GOLD 1000 MiniFastFit	-	-	-	112	26	-	35.3	36	36.5	55	56	57	5.5
MSR GOLD 1000 MiniFastFit	-	-	-	112	26	-	35.3	36	36.5	55	56	57	5.5

General Characteristics

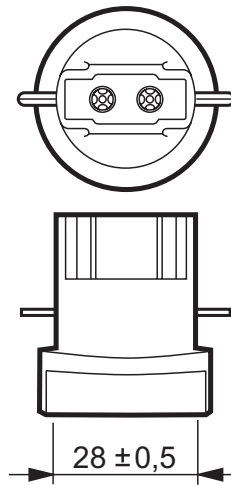
Order code	Full product name	System Description	Cap-Base	Execu-tion	Oper-ating Position	Main Applica-tion
928184005115	MSR Gold™ 575/2 MiniFastFit 1CT	MiniFastFit	PGJX28	-	any	Entertainment
928194005114	MSR Gold™ 400 MiniFastFit 1CT	MiniFastFit	PGJX28	-	any	Entertainment
928194105114	MSR Gold™ 700 MiniFastFit 1CT	MiniFastFit	PGJX28	-	any	Entertainment
928197405112	MSR Gold™ 700/1 MiniFastFit UNP	MiniFastFit	PGJX28	-	any	Entertainment
928197405115	MSR Gold™ 700/1 MiniFastFit 1CT	MiniFastFit	PGJX28	-	any	Entertainment

Order code	Full product name	System Description	Cap-Base	Execu-tion	Oper-ating Position	Main Applica-tion
928199905112	MSR Gold™ 700/2 MiniFastFit UNP	MiniFastFit	PGJX28	-	any	Entertainment
928199905115	MSR Gold™ 700/2 MiniFastFit 1CT	MiniFastFit	PGJX28	-	any	Entertainment
928171405112	MSR Gold™ 1000 MiniFastFit	MiniFastFit	PGJX36	-	any	Entertainment
928171405115	MSR Gold™ 1000 MiniFastFit	MiniFastFit	PGJX36	-	any	Entertainment

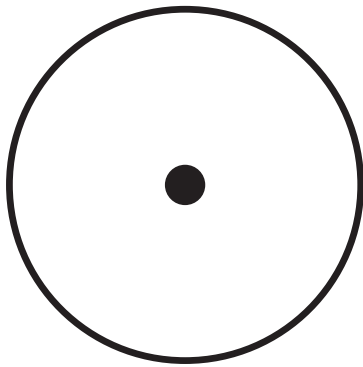
Installation diagrams



PGJX36



PGJX28



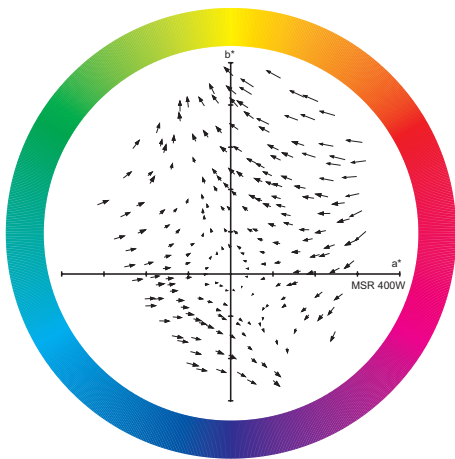
any

Light Technical Characteristics

Order code	Full product name	Color Code	Color Rendering Index	Color Temperature	Luminous Flux Lamp EM	Color Rendering Index (SO)	Chromaticity Coordinate X (SO)	Chromaticity Coordinate Y (SO)	Color Temperature (SO)	Luminous Flux (SO)	Luminous Efficacy Lamp (SO)
928184005115	MSR Gold™ 575/2 MiniFastFit 1CT	2	70 Ra8	7500 K	38600 Lm	Ra8	-	-	K	Lm	Lm/W
928194005114	MSR Gold™ 400 MiniFastFit 1CT	-	60 Ra8	6700 K	24000 (min), 26000 (nom) Lm	Ra8	-	-	K	Lm	Lm/W
928194105114	MSR Gold™ 700 MiniFastFit 1CT	-	65 Ra8	6000 K	44500 (min), 49000 (nom) Lm	Ra8	-	-	K	Lm	Lm/W
928197405112	MSR Gold™ 700/1 MiniFastFit UNP	1	73 Ra8	5700 K	53400 Lm	Ra8	-	-	K	Lm	Lm/W
928197405115	MSR Gold™ 700/1 MiniFastFit 1CT	1	73 Ra8	5700 K	53400 Lm	Ra8	-	-	K	Lm	Lm/W

Order code	Full product name	Color Code	Color Rendering Index	Color Temperature	Luminous Flux Lamp EM	Color Rendering Index (SO)	Chromaticity Coordinate X (SO)	Chromaticity Coordinate Y (SO)	Color Temperature (SO)	Luminous Flux (SO)	Luminous Efficacy Lamp (SO)
928199905112	MSR Gold™ 700/2 MiniFastFit UNP	2	75 Ra8	7200 K	44000 (min), 47000 (nom) Lm	Ra8	-	-	K	Lm	Lm/W
928199905115	MSR Gold™ 700/2 MiniFastFit 1CT	2	75 Ra8	7200 K	44000 (min), 47000 (nom) Lm	Ra8	-	-	K	Lm	Lm/W
928171405112	MSR Gold™ 1000 MiniFastFit	-	81 Ra8	6000 K	83000 Lm	-	-	-	-	-	-
928171405115	MSR Gold™ 1000 MiniFastFit	-	81 Ra8	6000 K	83000 Lm	-	-	-	-	-	-

Light technical



MSR 400W types

Electrical Characteristics

Order code	Full product name	Lamp Wattage	Lamp Current	Dimmable
928184005115	MSR Gold™ 575/2 MiniFastFit 1CT	575 W	10.2 A	Yes
928194005114	MSR Gold™ 400 MiniFastFit 1CT	400 W	7.2 A	Yes
928194105114	MSR Gold™ 700 MiniFastFit 1CT	700 W	10.8 A	Yes
928197405112	MSR Gold™ 700/1 MiniFastFit UNP	700 W	10.2 A	Yes
928197405115	MSR Gold™ 700/1 MiniFastFit 1CT	700 W	10.2 A	Yes

Order code	Full product name	Lamp Wattage	Lamp Current	Dimmable
928199905112	MSR Gold™ 700/2 MiniFastFit UNP	700 W	10.2 A	Yes
928199905115	MSR Gold™ 700/2 MiniFastFit 1CT	700 W	10.2 A	Yes
928171405112	MSR Gold™ 1000 MiniFastFit	1000 W	11.1 A	No
928171405115	MSR Gold™ 1000 MiniFastFit	1000 W	11.1 A	No



© 2014 Koninklijke Philips N.V. (Royal Philips)
All rights reserved.

Specifications are subject to change without notice. Trademarks are the property of Koninklijke Philips N.V. (Royal Philips) or their respective owners.

www.philips.com/lighting

Distributor:



Techni-Lux

Phone: 407-857-8770

Fax: 407-857-8771

0(224 2 0 2 & @ 2 2 {
www.techni-lux.com

2014, May 5
data subject to change