

## Tiny Giant

All you can imagine for environment lighting

EDX-607 ALL-IN-ONE Wall Station



**Distributor:**



Phone: 407-857-8770

Fax: 407-857-8771

Email: [sales@techni-lux.com](mailto:sales@techni-lux.com)

**Lite-Puter Enterprise Co., Ltd**

9F, No.196, Sec., Da Tung Rd., Shijr City, Taipei Country, Taiwan TEL:+886-2-8647-2828

**[www.liteputer.com.tw](http://www.liteputer.com.tw)**

Shanghai factory: Building 5, No.298, Lane 3509, Hongmei S. Road, Shanghai, China. TEL: +86-21-5440810/ 64978076

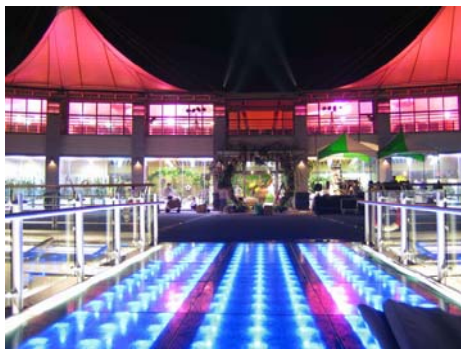
## Bring the lighting in five-star hotel to your home

The reasons why the lounge bar can be fashionable group's hot spot are the relaxed jazz, exquisite decoration, and nature lighting, which make people forget the pressure and tumult in modern city. If you want copy its atmosphere in your home, you can find the crystal pendent, furniture in north Europe style, an indolent sofa, but you can't copy the gentle, mild lighting effect easily. The design of the lamp does influence the sense of beauty, but the key for the atmosphere is the lighting. If you want each lamp create difference scenes, the professional lighting controller can make it come true.



## Total Solution for Lighting Effect

In Taiwan, Lite-Puter provides professional lighting controller to the most fashionable commercial spaces, include Grand Hyatt Hotel, Far Eastern Plaza Shangri-La Hotel, The Sheraton Hotel, Grand Formosa Regent Hotel, The Westin Taipei, Villa 32 Taipei, WASABI Dining Bar Buffet, JOYCE EAST, and the restaurant located in Bund 18, Shanghai. No matter it is lounge bar, restaurant, conference room or hotel room, Lite-Puter can satisfy owners' need to create suitable themes for their spaces. Now, Lite-Puter's newly-developed lightweight and nice home lighting controller can give you all you can imagine for lighting.





- **High load capacity:** EDX-607 has 6 channels, and can link 6 groups of lamp, sustain 16A capacity, equal to 3200W. Each channel can link 2400W (maximum) lamp, it is suitable for crystal pendant and other large load lamps.
- **Create different atmosphere:** Main panel can save 6 scenes; it can be extend to 24 scenes by link to other remote controllers.
- **Optional control panel:** Control panel in different color. Customized panel design according to your decoration style is also available.
- **IR remote controller :** Remote controller can recall 6 scenes, adjust brightness, edit and save scenes directly.
- **Accurate dimming :** With Lite-Puter professional stage lighting' s core technology, its dimming curve adopt C3 liner dimming curve that perfect suit human' s eyes, and show the brightness change when the dimming value range from 0 to 100%, which enables professional lighting designer to create exquisite atmosphere.
- **Brightness display:** BAD LED on panel display the brightness of 6 groups of lamp, and digit to display correct dimming value.
- **Energy saving:** Dimming can improve energy efficiency. Timer execution can avoid unnecessary energy consumption.
- **Professional dimming for home:** it has all the professional dimming function includes fade-in/fade-out time setting, automatic execution timer, dimming/non-dimming setting, and slow start that can extend lamp' s life-span.
- **Centralized control by PC:** PC control though Lite-Puter' s Ethernet interface.

Just touch one button, you can control all lamps in the house and don' t need to find the button in

**Lite-Puter Enterprise Co., Ltd**

9F, No.196, Sec., Da Tung Rd., Shijr City, Taipei Country, Taiwan TEL:+886-2-8647-2828

[www.liteputer.com.tw](http://www.liteputer.com.tw)

Shanghai factory: Building 5, No.298, Lane 3509, Hongmei S. Road, Shanghai, China. TEL: +86-21-5440810/ 64978076

# Lite-Puter

The magician of Light

darkness before go to bed. It can set scenes for different situations, like happy scene for family time, relax scene for stay alone, and romantic scene for intimate talk. All the lamps in your home can automatically shift to the pre-set brightness by one touch, which put you in the superior atmosphere carved by brightness and darkness, light and shade.

## Save Energy

In addition to add light change to the room, Lite-Puter lighting control system can provide more for you. It can set the brightness of the lamp on the desired dimming value to avoid energy waste. If the dimming value is at 90%, it can save 10% energy; at 80%, it can save 20% energy.

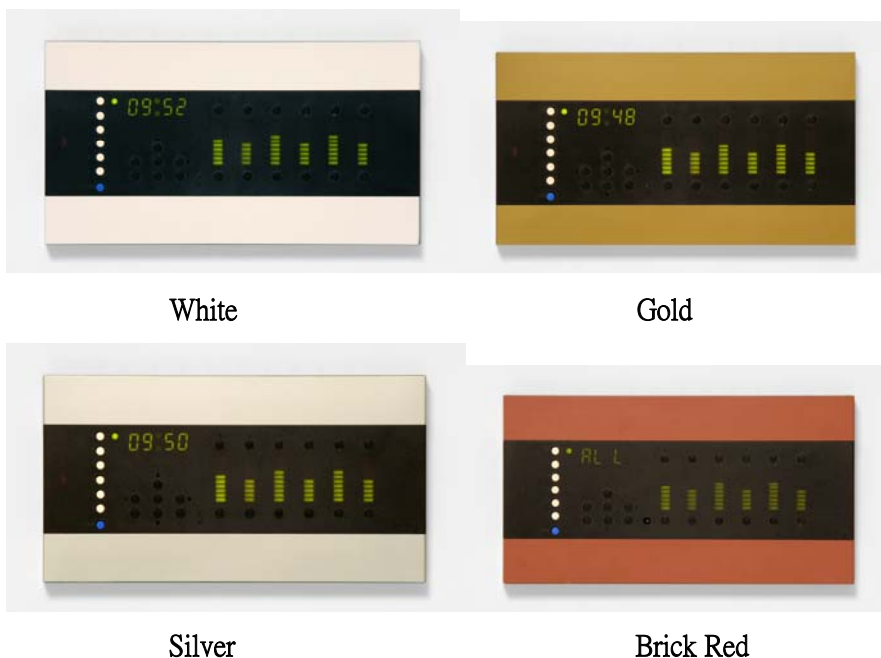
## Lamp Protection

Each 10% brightness decrease will double lamp's life-span. So when the dimming value at 80%, its life span will quadruple.

## Sequency Control

With build-in timer function, it can automatically turn on/off each lamp at fixed time, for example, it can automatically turn off the unnecessary lamp but the main lamp after midnight, which can save up to 50% energy.

Control panel in different color and special design available



## System Extension

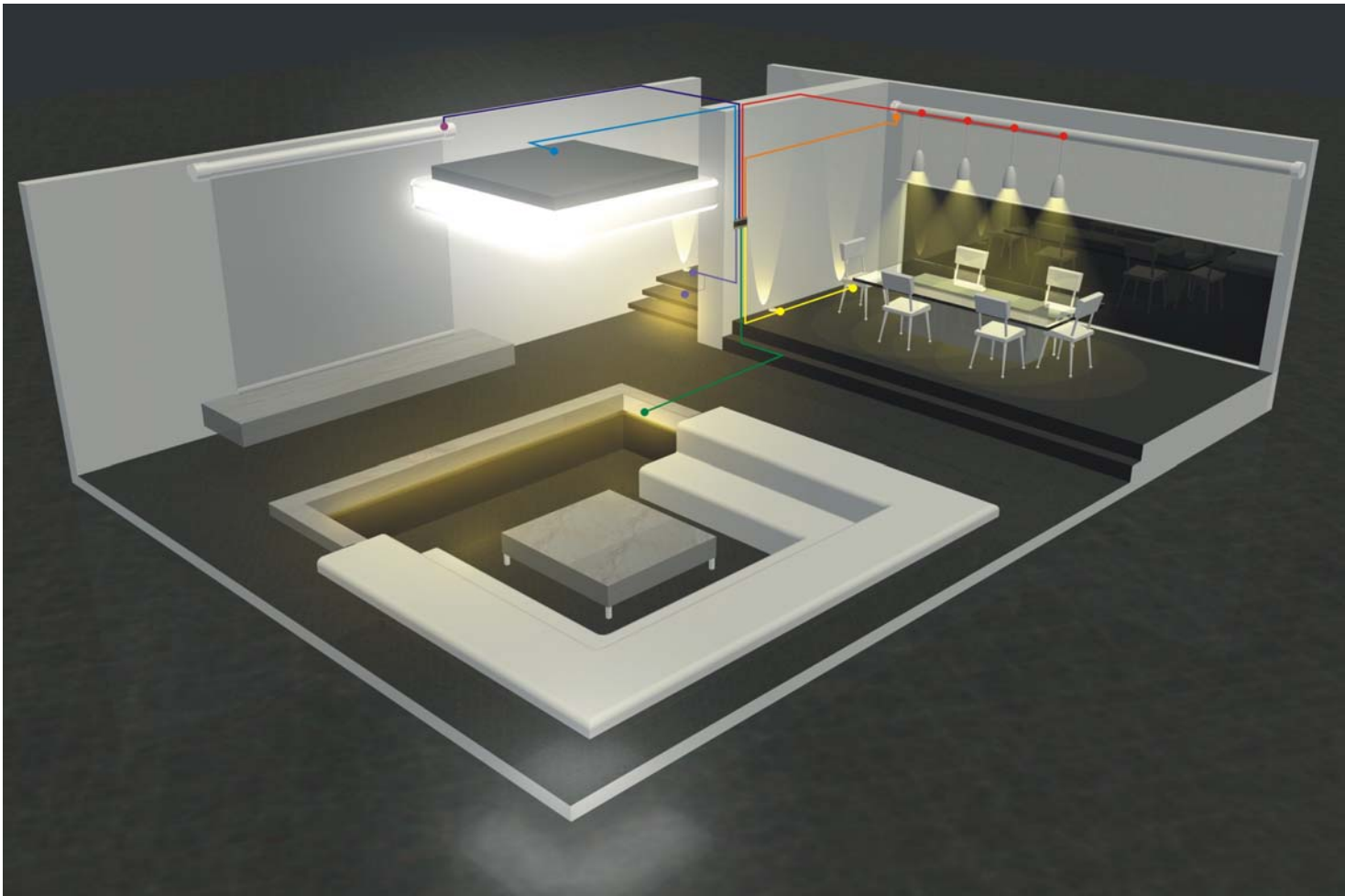
**Lite-Puter Enterprise Co., Ltd**

9F, No.196, Sec., Da Tung Rd., Shijr City, Taipei Country, Taiwan TEL:+886-2-8647-2828

[www.liteputer.com.tw](http://www.liteputer.com.tw)

Shanghai factory: Building 5, No.298, Lane 3509, Hongmei S. Road, Shanghai, China. TEL: +86-21-5440810/ 64978076

With optional interface, this intellect controller can connect more equipment.



- Power amplifier
- Control panel
- Occupancy sensor and sunlight sensor
- Dimmable fluorescent
- Screen control
- Curtain control
- Air-conditioner control
- Stereo control
- DMX dimming control system
- Wireless control interface



ECP-106 Control Panel

## Wiring Diagram

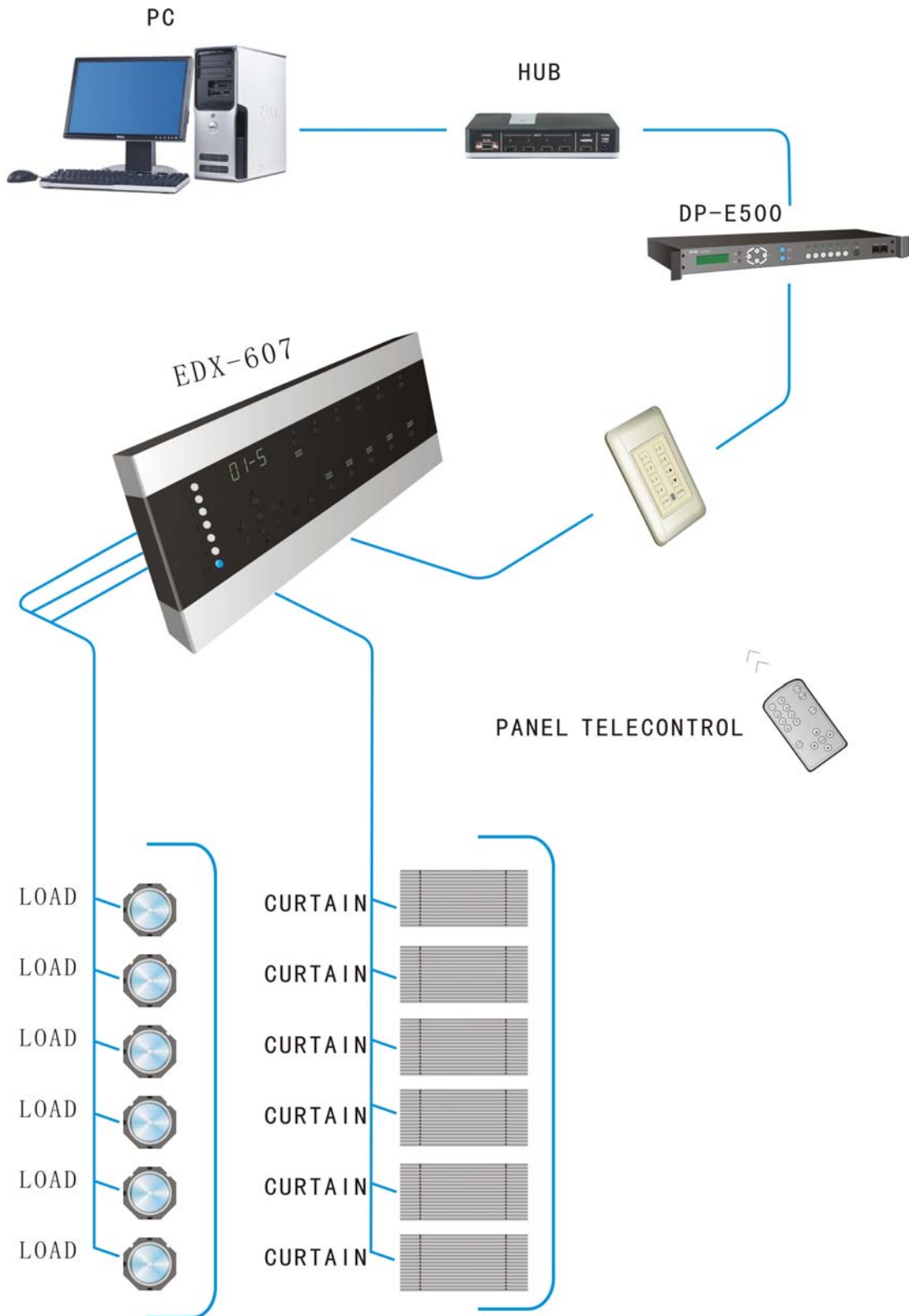
**Lite-Puter Enterprise Co., Ltd**

9F, No.196, Sec., Da Tung Rd., Shijr City, Taipei Country, Taiwan TEL:+886-2-8647-2828

[www.liteputer.com.tw](http://www.liteputer.com.tw)

Shanghai factory: Building 5, No.298, Lane 3509, Hongmei S. Road, Shanghai, China. TEL: +86-21-5440810/ 64978076





## System in parts

**Lite-Puter Enterprise Co., Ltd**

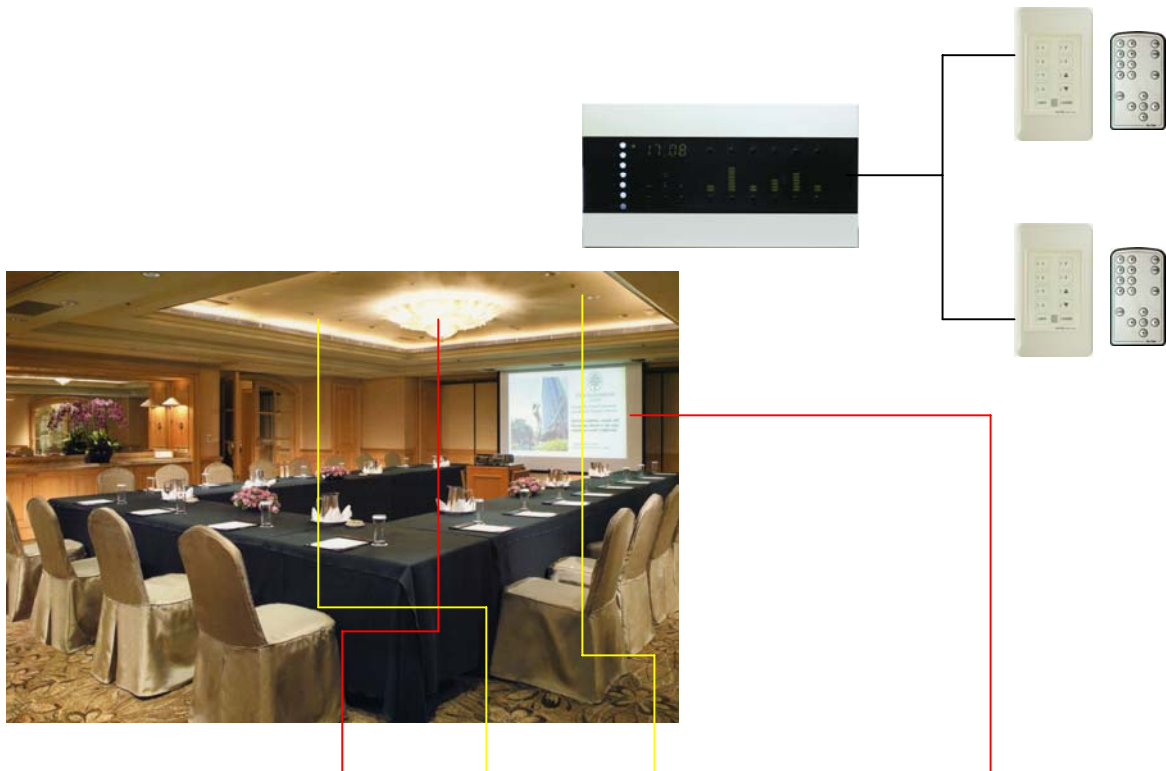
9F, No.196, Sec., Da Tung Rd., Shijr City, Taipei Country, Taiwan TEL:+886-2-8647-2828

[www.liteputer.com.tw](http://www.liteputer.com.tw)

Shanghai factory: Building 5, No.298, Lane 3509, Hongmei S. Road, Shanghai, China. TEL: +86-21-5440810/ 64978076

- Conference room
- Hotel room
- Home theater
- Restaurant stateroom
- Office

One EDX-607 alone has strong function and control 12 channels, for example, in home theater and restaurant stateroom, one EDX-607 can give you all you want for lighting. Its control can be divided into independent zone. If the zone is too large, connected to the control panel of ECP series and IR remote control, it can be used as centralized control center to save manual work.



CHANNEL		CH1	CH2	CH3	CH4	CH5	CH6
		Pendant	Fluorescent Lamp	Projector Lamp	Projector Lamp	Curtain	Screen
SCENE 1	Conference	100%	100%	70%	100%		
SCENE 2	Video Conference		60%	60%		100%	100%
SCENE 3	Brief Conference			40%	50%	100%	100%
SCENE 4	Lecture	80%	80%		80%	70%	
SCENE 5	Product Exhibition	80%	50%	70%	65%	20%	
SCENE 6	Staff Communication	100%		80%			

## System in parts

**Lite-Puter Enterprise Co., Ltd**

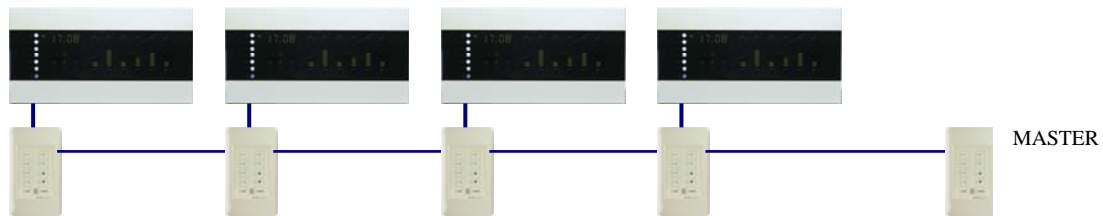
9F, No.196, Sec., Da Tung Rd., Shijr City, Taipei Country, Taiwan TEL:+886-2-8647-2828

[www.liteputer.com.tw](http://www.liteputer.com.tw)

Shanghai factory: Building 5, No.298, Lane 3509, Hongmei S. Road, Shanghai, China. TEL: +86-21-5440810/ 64978076

- Dinning hall
- Office
- Exhibition center

If there are many channels and enough space, connected with ECP control panel, we can use several EDX-607 to control. In order to match the activities in various style and scope, dinning hall and exhibition center will have partitions or not, in this way , connected with master control panel, each EDX-607 can do partition control and synchronization control to achieve flexible control.



## Amusement Place

### Lite-Puter Enterprise Co., Ltd

9F, No.196, Sec., Da Tung Rd., Shijr City, Taipei Country, Taiwan TEL:+886-2-8647-2828

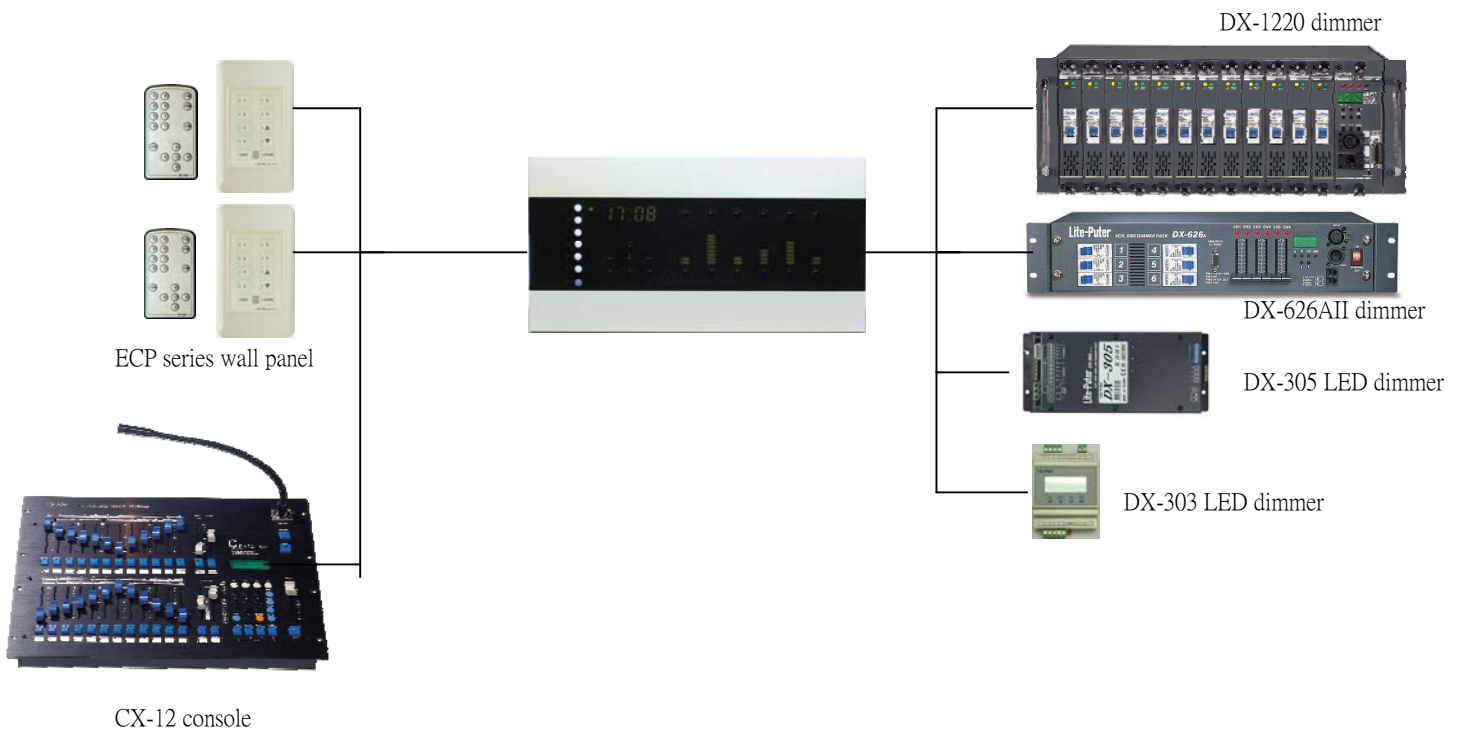
[www.liteputer.com.tw](http://www.liteputer.com.tw)

Shanghai factory: Building 5, No.298, Lane 3509, Hongmei S. Road, Shanghai, China. TEL: +86-21-5440810/ 64978076



- Dance hall
- Cinema
- Restaurant
- Pub

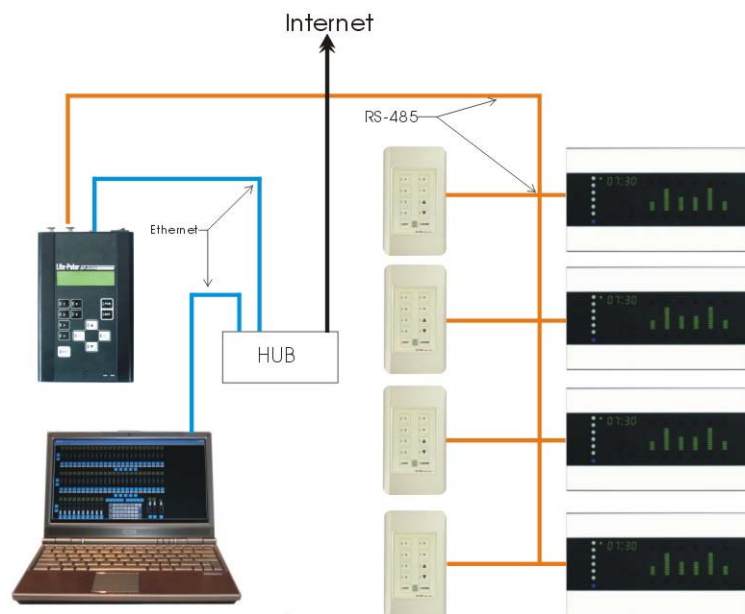
Amusement place has a high demand; it needs depend on lighting and scene change different lighting in performances. On usual time, EDX-607 is responsible for regular lighting and scene, in order to satisfy the special needs, it can directly connect to standard DMX console. When the DMX signal comes in, control panel will be useless, it will automatically controlled by DMX console. Though power amplifier, EDX-607 can enlarge signal channel's capacity to satisfy the need for large capacity lamp used in stage, moreover, when there are many channels, it can link to standard DMX dimmer to provide the most flexible lighting change.



## Centralized Lighting Control System

- Office building
- Department store
- Shopping mall
- Hotel

EDX-607 can connect to DP-E450 by ETHERNET, so it can be controlled by any PC that has Lite-Puter lighting control software. If many EDX-607 in series connection, we can set any EDX-607 or control panel and control any channel in the system, or monitor all EDX-607 in the office building. Each building or floor can have monitor PC host to do independent monitor. Wireless Ethernet can set or control lighting and air-conditioner system by PC at any time. In addition, IR sensor and temperature sensor can backup the security system.



## EDX-607 Provide More Reliable Solution

Take the maintenance cost into consideration, Lite-Puter's EDX-607 have several important self

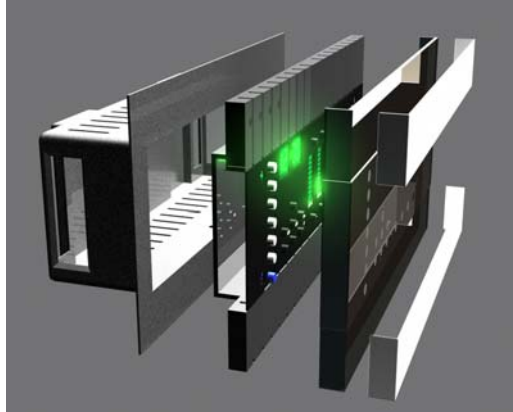
### Lite-Puter Enterprise Co., Ltd

9F, No.196, Sec., Da Tung Rd., Shijr City, Taipei Country, Taiwan TEL:+886-2-8647-2828

[www.liteputer.com.tw](http://www.liteputer.com.tw)

Shanghai factory: Building 5, No.298, Lane 3509, Hongmei S. Road, Shanghai, China. TEL: +86-21-5440810/ 64978076

protect functions, which maximally increase reliability. For 30 years, Lite-Puter's professional technology in stage lighting control wins quality approval from our customers. Lite-Puter's lighting control system in The Sheraton Hotel Taipei has been operated for more than 20 years. We have copy all our perfect quality pursuit on EDX-607!

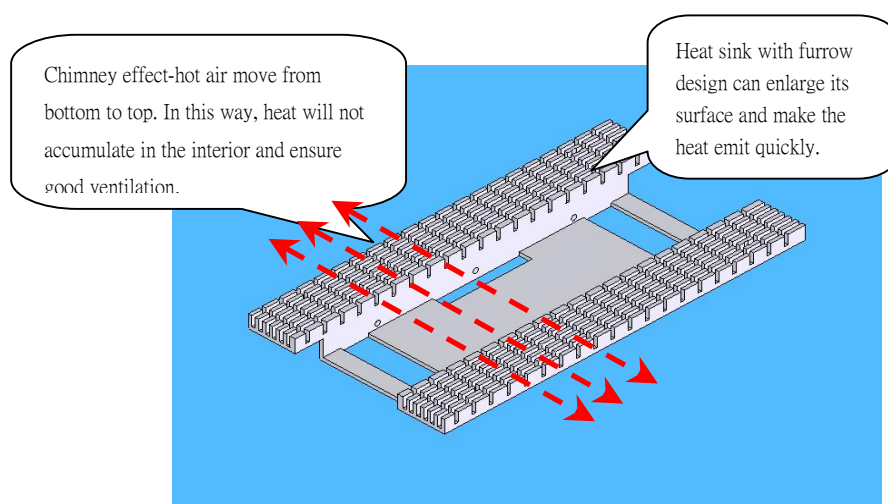


- **Dual Security- Current and Temperature**

When the loading excess 16A, EDX-607 will automatically decrease the loading below 16A, When surge current beyond 24A, it will automatically stop output and sound alarm, then you can press OFF to reset, in this way, it can be best guard for your home. If the temperature excess 62°C (144°F), it will automatically decrease loading, if over 65°C (149°F), it will stop output.

- Each channel use 25A high-power component, can sustain 10A(max).
- **Heat Sink System**

The house design aluminum heat sink can efficiently lead the heat in machine out.



## Features

12 output channels	First 6 channels' build-in driver can output AC directly, all 12 channels can output DMX to achieve extend high-power lamp and other control purpose.
System extension	Connected to other module, it can control dimmable fluorescent, screen, curtain, stereo, and air-conditioner.
DMX input channel setting	EDX-607 can be used as DMX dimmer and under console' s control, so it need set DMX address 001 - 512. When it input DMX, the console control the whole system, other control panel is useless.
Dimming/non-dimming setting	Each channel can be set as dimming or non-dimming. Non-dimmable lamp must be set non-dimming.
Dimming curve setting	Each channel can set 3 different dimming curves. Its preset C3 curve is for incandescent Lamp, which it suitable for human vision.
Two group control input/output	<ul style="list-style-type: none"> <li>● Two-way input/output control (RS-485). Control panel and PC control module can be connected to EDX-607 or other similar machines to set up a whole control system. If it input DMX signal on RS-485, DMX console will control EDX-607, and control panel will useless.</li> <li>● Another group only used as 12 channels DMX output, one-way output (RS-422), it can be used for EDX-607 output channel extension.</li> </ul>
Memory control	12 groups of memory,SC-01~ SC-06 is direct control,SC-07 ~ SC-12 must press Shift and SC-01~SC-06 at the same to recall.
Clock and timer function	Clock setting and 24 hours timer control. It can control 64 time point. Each timer setting includes switch time, scene, and fade-in/out time.
Fade in/out setting	To avoid uncomforted feeling caused by transient lighting change, EDX-607 can set fade-in/out time from 0.1 second to 99 minutes. During this period, if you want the brightness you set immediately, just press scene key 2 times.
Partitions control	Each channel can belongs to different zone, control panel can set different zone and will not affect the lamp in other zone.
Memory protection	Temporary manual dimming change will not affect preset memory.
Keyboard lock function	2 lock function : <ol style="list-style-type: none"> <li>1. Memory protection : memory can' t be changed.</li> <li>2. All key locked, it only can execute timer.</li> </ol>

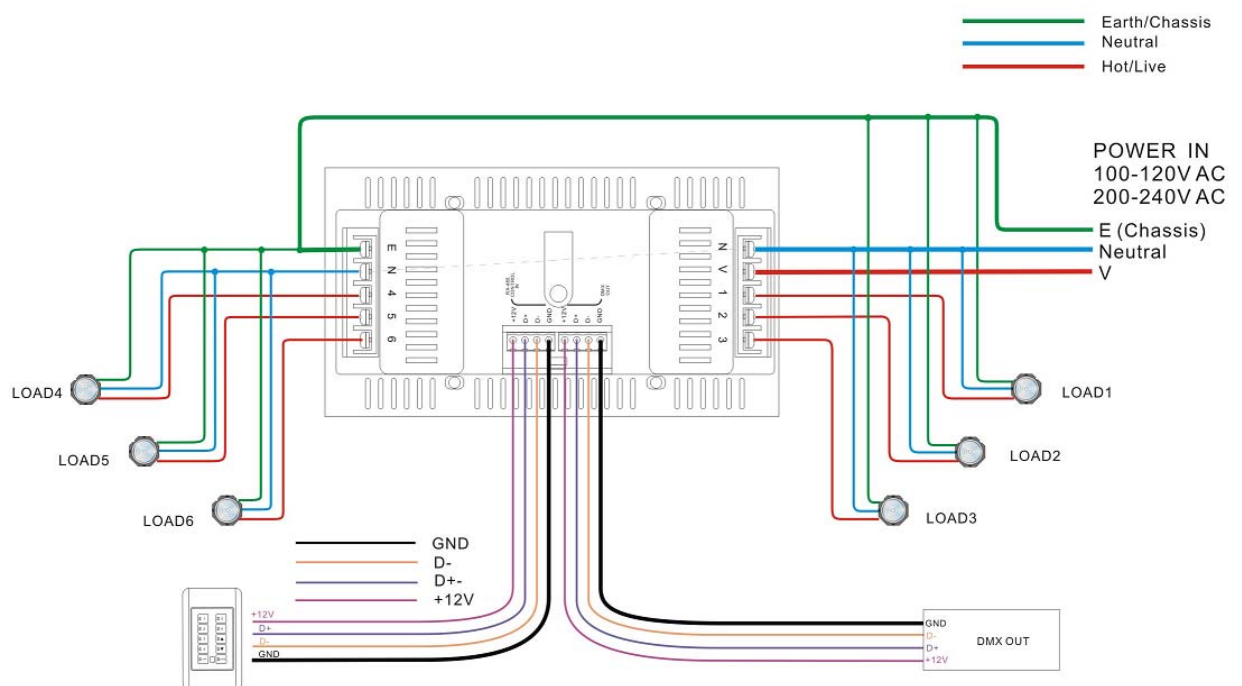
## Controllable Lamps

- ◆ Incandescent lamp
- ◆ Low voltage halogens lamp ( electronic or inductance transformer )
- ◆ Cathode rays
- ◆ Dimmable fluorescent lamp (with fluorescent module)
- ◆ Dimmable PL lamp(with fluorescent module)
- ◆ Non-dimmable lamp

## Specifications

Input	90-240V AC 50 / 60 Hz
Output	Build-in 6 channels driver, each 10A(max), total 16A
Protocol	Control output/input : RS-485 External DMX output: RS-422
Dimension	212(W) x 114(H) x60(D) mm
Weight	860 Kg

## Wiring Diagram



### Lite-Puter Enterprise Co., Ltd

9F, No.196, Sec., Da Tung Rd., Shijr City, Taipei Country, Taiwan TEL:+886-2-8647-2828

[www.liteputer.com.tw](http://www.liteputer.com.tw)

Shanghai factory: Building 5, No.298, Lane 3509, Hongmei S. Road, Shanghai, China. TEL: +86-21-5440810/ 64978076